



Profit from the Eagle Advantage®

# Specification Sheet

## Short Form Specifications

Eagle Quad-Adjust® Wire Shelf, model \_\_\_\_\_, EAGLEbrite® zinc, chrome, Valu-Master® Grey Epoxy, Valu-Gard® Green Epoxy, EAGLEgard® Green Epoxy with MICROGARD®, or stainless steel finish. Custom colors available. Patented QuadTruss® design. Specially designed for addition or removal of a shelf without disassembling entire shelf unit. Shelf features corners that interlock with post-mounted collars. Numerically grooved posts are 1" diameter.

**PATENTED!**  
(Patent #7,992,731)

channel of shelf corner fits into slot of collar attached to split sleeve



Quad-Adjust® shelf unit

## Options / Accessories

- Casters
- Ledges
- Dividers
- Foot plates
- Rods & tabs
- Aluminum split sleeves
- Shelf markers
- "S" hooks

**EAGLE GROUP**  
100 Industrial Boulevard, Clayton, DE 19938-8903 USA  
Phone: 302-653-3000 • Fax: 302-653-2065  
www.eaglegrp.com

**Foodservice Division: Phone 800-441-8440**  
**MHC/Retail Display Divisions: Phone 800-637-5100**

For custom configuration or fabrication needs, contact our **SpecFAB® Division**.  
Phone: 302-653-3000 • Fax: 302-653-3091 • e-mail: specfab@eaglegrp.com

Item No.: \_\_\_\_\_  
 Project No.: \_\_\_\_\_  
 S.I.S. No.: \_\_\_\_\_

## Quad-Adjust® Wire Shelving

### MODELS:

- QA14\*    QA24\*    QAR21\*    P7-\*    P33-\*    P74-\*
- QA18\*    QAR14\*    QAR24\*    P14-\*    P54-\*    P86-\*
- QA21\*    QAR18\*    P18-\*    P63-\*

\* See charts for complete model numbers.

- Patented Quad-Truss® shelves (patent #5,390,803) for increased strength and durability.
- Shelves feature special interlocking corners that fit in slots of collars mounted to split sleeves, allowing addition or removal of a shelf without the need to disassemble the entire shelf unit. Patent #7,992,731.
- Tapered split sleeves create a positive lock that becomes stronger as the load increases.
- Posts are numbered in increments of 1" (25mm) to ensure fast and level assembly.
- Leveling feet are provided to help compensate for uneven floor surfaces.
- Shelf utilizes a pincer-type design with the mat wire sandwiched between the two top truss wires, adding significant strength and distributing the entire load without stress and strain on the welds.
- Finishes available are EAGLEbrite® zinc, chrome, Valu-Master® grey epoxy, Valu-Gard® green epoxy, EAGLEgard® green epoxy with MICROGARD®, and stainless steel. Custom colors available.

### Weight capacities:

- Shelves up to 48" (1219mm) in length can support an evenly distributed static load of 800 lbs. (362.9 kg).
- Shelves of 60" and 72" (1524 and 1829mm) length can support an evenly distributed static load of 600 lbs. (272.2 kg).
- **IMPORTANT:** Stationary units should not exceed 2400 lbs. (1088.6 kg) per set of four posts.
- **IMPORTANT:** Maximum load for mobile units is to be one the following, whichever is less:
  - 3 times the weight rating for one caster, or
  - 1000 lbs. (453.6 kg) per set of four posts.
- For maximum rigidity on mobile applications, shelves with welded collars recommended for top and bottom of unit.

### Certifications / Approvals



**AUTOQUOTES**



EG01.14 Rev. 03/12

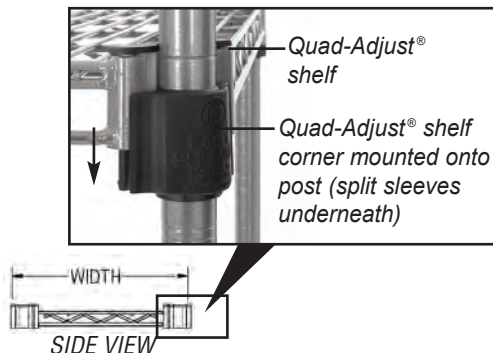
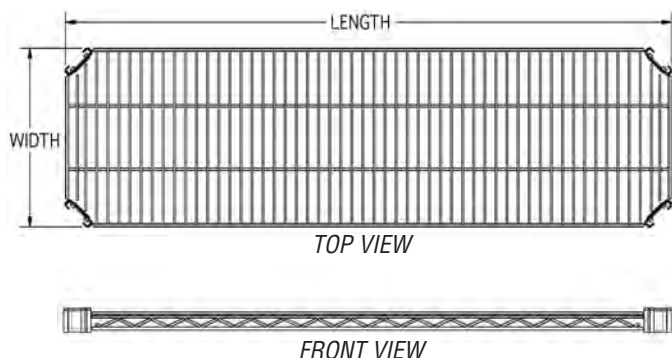
**Spec sheets available for viewing, printing or downloading from our online literature library at [www.eaglegrp.com](http://www.eaglegrp.com)**

Eagle Foodservice Equipment, Eagle MHC, SpecFAB®, and Retail Display are divisions of Eagle Group. ©2012 by the Eagle Group



Profit from the Eagle Advantage®

Item No.: \_\_\_\_\_  
 Project No.: \_\_\_\_\_  
 S.I.S. No.: \_\_\_\_\_



To specify finish (available for all components listed), place the corresponding suffix after the model number.  
 suffix "Z" = EAGLEbrite®      suffix "V" = Valu-Master® Gray Epoxy      suffix "E" = EAGLEgard® Green Epoxy  
 suffix "C" = Chrome              suffix "VG" = Valu-Gard® Green Epoxy      suffix "S" = stainless steel

**Shelves**

| model # | width x length |            | weight |      |
|---------|----------------|------------|--------|------|
|         | in.            | mm         | lb.    | kg   |
| QA1424  | 14" x 24"      | 356 x 610  | 6      | 2.7  |
| QA1430  | 14" x 30"      | 356 x 762  | 7      | 3.2  |
| QA1436  | 14" x 36"      | 356 x 914  | 8      | 3.6  |
| QA1442  | 14" x 42"      | 356 x 1067 | 9      | 4.1  |
| QA1448  | 14" x 48"      | 356 x 1219 | 10     | 4.6  |
| QA1454  | 14" x 54"      | 356 x 1372 | 12     | 5.5  |
| QA1460  | 14" x 60"      | 356 x 1524 | 14     | 6.4  |
| QA1472  | 14" x 72"      | 356 x 1829 | 17     | 7.7  |
| QA1824  | 18" x 24"      | 457 x 610  | 7      | 3.2  |
| QA1830  | 18" x 30"      | 457 x 762  | 8      | 3.6  |
| QA1836  | 18" x 36"      | 457 x 914  | 9      | 4.1  |
| QA1842  | 18" x 42"      | 457 x 1067 | 11     | 5.0  |
| QA1848  | 18" x 48"      | 457 x 1219 | 12     | 5.5  |
| QA1854  | 18" x 54"      | 457 x 1372 | 15     | 6.8  |
| QA1860  | 18" x 60"      | 457 x 1524 | 17     | 7.7  |
| QA1872  | 18" x 72"      | 457 x 1829 | 20     | 9.1  |
| QA2124  | 21" x 24"      | 533 x 610  | 8      | 3.6  |
| QA2130  | 21" x 30"      | 533 x 762  | 9      | 4.1  |
| QA2136  | 21" x 36"      | 533 x 914  | 11     | 5.0  |
| QA2142  | 21" x 42"      | 533 x 1067 | 12     | 5.5  |
| QA2148  | 21" x 48"      | 533 x 1219 | 14     | 6.4  |
| QA2154  | 21" x 54"      | 533 x 1372 | 16     | 7.3  |
| QA2160  | 21" x 60"      | 533 x 1524 | 18     | 8.2  |
| QA2172  | 21" x 72"      | 533 x 1829 | 24     | 10.9 |
| QA2424  | 24" x 24"      | 610 x 610  | 9      | 4.1  |
| QA2430  | 24" x 30"      | 610 x 762  | 11     | 5.0  |
| QA2436  | 24" x 36"      | 610 x 914  | 13     | 5.9  |
| QA2442  | 24" x 42"      | 610 x 1067 | 15     | 6.8  |
| QA2448  | 24" x 48"      | 610 x 1219 | 16     | 7.3  |
| QA2454  | 24" x 54"      | 610 x 1372 | 19     | 8.6  |
| QA2460  | 24" x 60"      | 610 x 1524 | 21     | 9.5  |
| QA2472  | 24" x 72"      | 610 x 1829 | 26     | 11.8 |

**Reverse Mat Shelves**

| model # | width x length |            | weight |     |
|---------|----------------|------------|--------|-----|
|         | in.            | mm         | lb.    | kg  |
| QAR1424 | 14" x 24"      | 356 x 610  | 6      | 2.7 |
| QAR1436 | 14" x 36"      | 356 x 914  | 8      | 3.6 |
| QAR1448 | 14" x 48"      | 356 x 1219 | 10     | 4.6 |
| QAR1824 | 18" x 24"      | 457 x 610  | 7      | 3.2 |
| QAR1836 | 18" x 36"      | 457 x 914  | 9      | 4.1 |
| QAR1848 | 18" x 48"      | 457 x 1219 | 12     | 5.5 |
| QAR2124 | 21" x 24"      | 533 x 610  | 8      | 3.6 |
| QAR2136 | 21" x 36"      | 533 x 914  | 11     | 5.0 |
| QAR2148 | 21" x 48"      | 533 x 1219 | 14     | 6.4 |
| QAR2424 | 24" x 24"      | 610 x 610  | 9      | 4.1 |
| QAR2436 | 24" x 36"      | 610 x 914  | 13     | 5.9 |
| QAR2448 | 24" x 48"      | 610 x 1219 | 16     | 7.3 |

**Posts**

Numerically grooved in 1" (25mm) increments. Includes post cap and leveling bolt.

| model # | height |      | weight |     |
|---------|--------|------|--------|-----|
|         | in.    | mm   | lb.    | kg  |
| P7-     | 7"     | 178  | 1.0    | 0.5 |
| P14-    | 14"    | 356  | 1.0    | 0.5 |
| P18-    | 18"    | 457  | 1.5    | 0.7 |
| P33-    | 33"    | 838  | 2.0    | 0.9 |
| P54-    | 54"    | 1372 | 3.0    | 1.4 |
| P63-    | 63"    | 1600 | 3.5    | 1.6 |
| P74-    | 74"    | 1880 | 4.0    | 1.8 |
| P86-    | 86"    | 2184 | 5.0    | 2.3 |

Notes:  
 - EAGLEbrite® posts are clear epoxy coated for use in dry or wet environments.  
 - MICROGARD® antimicrobial protection standard on all EAGLEgard® posts.  
 - For mobile application, add prefix "C" to model number. Example: CP14-E. See Spec Sheet EG01.05 for information about casters available.

**EAGLE GROUP**  
 100 Industrial Boulevard, Clayton, DE 19938-8903 USA  
 Phone: 302-653-3000 • Fax: 302-653-2065 • www.eaglegrp.com

Foodservice Division: Phone 800-441-8440  
 MHC/Retail Display Divisions: Phone 800-637-5100

Printed in U.S.A.  
 ©2012 by Eagle Group  
 Rev. 03/12

Spec sheets available for viewing, printing or downloading from our online literature library at [www.eaglegrp.com](http://www.eaglegrp.com)

Although every attempt has been made to ensure the accuracy of the information provided, we cannot be held responsible for typographical or printing errors. Information and specifications are subject to change without notice. Please confirm at time of order.