



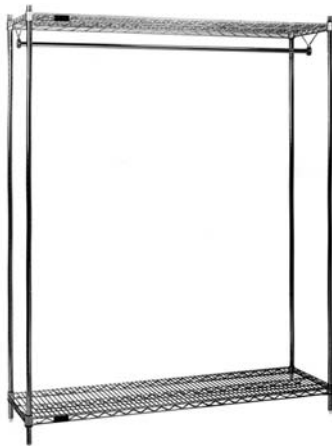
Profit from the Eagle Advantage®

# Specification Sheet

## Short Form Specifications

Eagle Stationary Garment Rack, model \_\_\_\_\_. Features patented QuadTruss® design chrome plated wire shelves, posts, and 1"-diameter chrome plated hanger which accepts most standard hangers.

Eagle Mobile Garment Rack, model \_\_\_\_\_. Features patented QuadTruss® design chrome plated wire shelves, posts, 5" diameter polyurethane casters with rubber donut bumper, and 1" diameter chrome plated hanger bar which accepts most standard hangers.



#GR1860C  
stationary unit



#URS1836C  
mobile unit

## Options / Accessories

- Hangers
- Casters
- Wire shelves

**EAGLE GROUP**  
 100 Industrial Boulevard, Clayton, DE 19938-8903 USA  
 Phone: 302-653-3000 • Fax: 302-653-2065  
 www.eaglegrp.com

**Foodservice Division: Phone 800-441-8440**  
**MHC/Retail Display Divisions: Phone 800-637-5100**

For custom configuration or fabrication needs, contact our **SpecFAB® Division**.  
 Phone: 302-653-3000 • Fax: 302-653-3091 • e-mail: specfab@eaglegrp.com

Item No.:	_____
Project No.:	_____
S.I.S. No.:	_____

## Garment Racks

### MODELS:

- |                                   |                                   |
|-----------------------------------|-----------------------------------|
| <input type="checkbox"/> GR1836C  | <input type="checkbox"/> UR1836C  |
| <input type="checkbox"/> GRS1836C | <input type="checkbox"/> URS1836C |
| <input type="checkbox"/> GR1848C  | <input type="checkbox"/> UR1848C  |
| <input type="checkbox"/> GRS1848C | <input type="checkbox"/> URS1848C |
| <input type="checkbox"/> GR1860C  | <input type="checkbox"/> UR1860C  |
| <input type="checkbox"/> GRS1860C | <input type="checkbox"/> URS1860C |

### Design and Construction Features

- Convenient storage or transportation of coats, uniforms, or garments.
- Wire shelves feature patented QuadTruss® design —patent #5,390,803.
- Wire design allows for vertical air flow.
- Top wire shelf for hats or flat items.
- Bottom wire shelf for drying shoes or boots; some models have additional solid shelf below bottom wire shelf to catch moisture.
- Available in lengths from 36" to 60" (914 to 1524mm).
- Four mild steel chrome plated posts with adjustable feet.
- Two wire chrome plated shelves.
- 1" (25mm) diameter, chrome-plated coat hanger tube.
- Height of hanger tube allows for long items to be hung.
- Mobile racks feature 5" (127mm) polyurethane tread casters with rubber donut bumper.

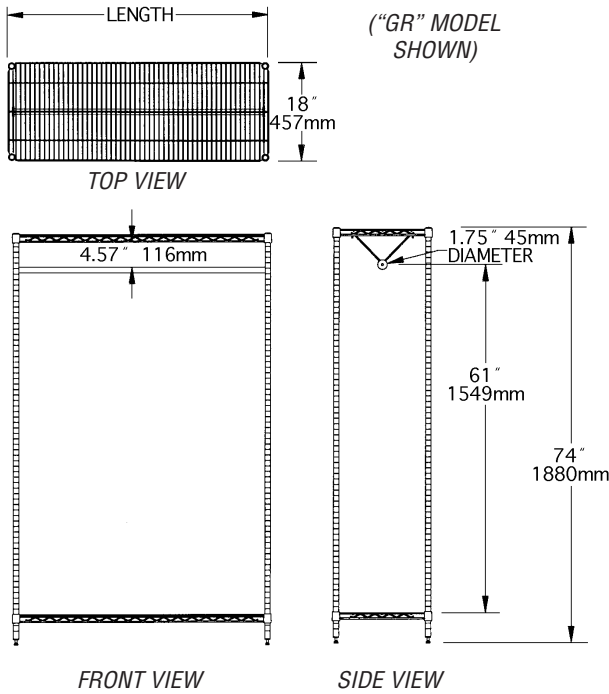




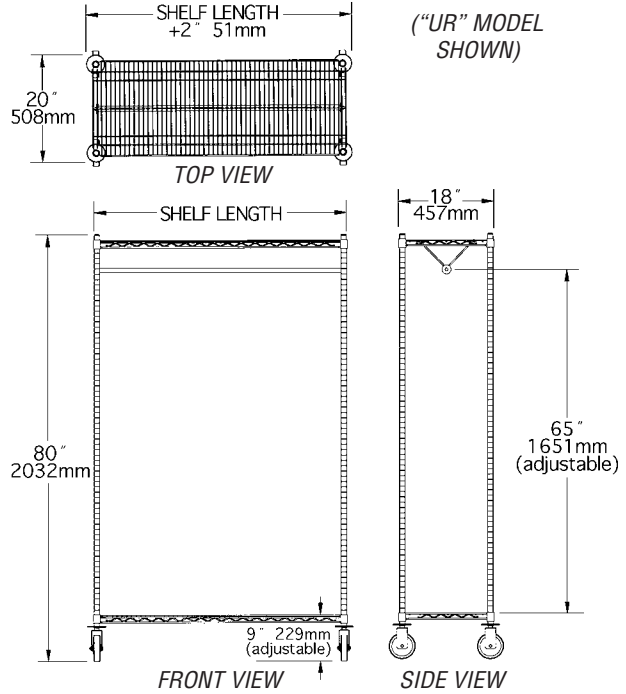
Item No.: \_\_\_\_\_  
 Project No.: \_\_\_\_\_  
 S.I.S. No.: \_\_\_\_\_

# Garment Racks

## Stationary Units



## Mobile Units



Stationary model #	Mobile model #	description	width in.	width mm	x length in.	x length mm	weight lbs.	weight kg
GR1836C	UR1836C	1 top & 1 bottom wire shelf	18"	457	36"	914	48	21.8
GRS1836C	URS1836C	same, plus 1 solid shelf	18"	457	36"	914	64	29.0
GR1848C	UR1848C	1 top & 1 bottom wire shelf	18"	457	48"	1219	52	23.6
GRS1848C	URS1848C	same, plus 1 solid shelf	18"	457	48"	1219	72	32.7
GR1860C	UR1860C	1 top & 1 bottom wire shelf	18"	457	60"	1524	58	26.3
GRS1860C	URS1860C	same, plus 1 solid shelf	18"	457	60"	1524	82	37.2

## Accessories and Replacements available

### Optional Closed Loop Hangers

Electro-polished model #	Stainless steel model #	Chrome model #	weight lbs.	weight kg
CLH-EP	CLH-S	CLH-C	0.4	0.2

### Optional Open Loop Hangers

Electro-polished model #	Stainless steel model #	Chrome model #	weight lbs.	weight kg
OLH-EP	OLH-S	OLH-C	0.4	0.2

### Replacement Hanger Tubes

Chrome finish.		length in.	length mm	weight lbs.	weight kg
model #					
CH24	24"	610	1.5	0.7	
CH30	30"	762	1.7	0.8	
CH36	36"	914	2.2	1.0	
CH42	42"	1067	2.7	1.2	
CH48	48"	1219	3.2	1.5	
CH54	54"	1372	3.5	1.6	
CH60	60"	1524	3.8	1.7	

### Optional Wire Shelves

Chrome finish.		width in.	width mm	x length in.	x length mm	weight lbs.	weight kg
model #							
1836C	18"	457	36"	914	9	4.1	
1848C	18"	457	48"	1219	12	5.5	
1860C	18"	457	60"	1524	17	7.7	

### EAGLE GROUP

100 Industrial Boulevard, Clayton, DE 19938-8903 USA

Phone: 302-653-3000 • Fax: 302-653-2065

www.eaglegrp.com

Foodservice Division: Phone 800-441-8440

MHC/Retail Display Divisions: Phone 800-637-5100

Printed in U.S.A.  
 ©2008 by Eagle Group

Rev. 09/08

Spec sheets available for viewing, printing or downloading from our online literature library at [www.eaglegrp.com](http://www.eaglegrp.com)

Although every attempt has been made to ensure the accuracy of the information provided, we cannot be held responsible for typographical or printing errors. Information and specifications are subject to change without notice. Please confirm at time of order.