

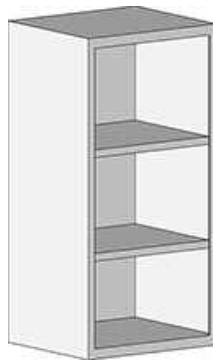


Profit from the Eagle Advantage®

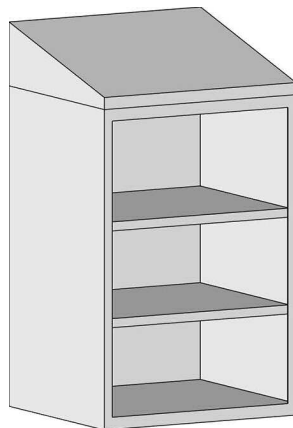
Specification Sheet

Short Form Specifications

All stainless steel type 304 enclosed cabinet. 13"- or 16"-deep. Flat top units are 31"-high, sloped top units are 36"-high. Widths range from 18" to 48". Removable back panel. Two adjustable shelves. Designed and tested to the SEFA 8 Metal Casework recommended practices.



with flat top



with sloped top

| | |
|--------------|-------|
| Item No.: | _____ |
| Project No.: | _____ |
| S.I.S. No.: | _____ |

Upper Cabinets— Open Wall Cases

MODELS:

- | | |
|--|--|
| <input type="checkbox"/> <i>SSC-WCO-1318</i> | <input type="checkbox"/> <i>SSC-WCOST-1318</i> |
| <input type="checkbox"/> <i>SSC-WCO-1324</i> | <input type="checkbox"/> <i>SSC-WCOST-1324</i> |
| <input type="checkbox"/> <i>SSC-WCO-1330</i> | <input type="checkbox"/> <i>SSC-WCOST-1330</i> |
| <input type="checkbox"/> <i>SSC-WCO-1336</i> | <input type="checkbox"/> <i>SSC-WCOST-1336</i> |
| <input type="checkbox"/> <i>SSC-WCO-1348</i> | <input type="checkbox"/> <i>SSC-WCOST-1348</i> |
| <input type="checkbox"/> <i>SSC-WCO-1618</i> | <input type="checkbox"/> <i>SSC-WCOST-1618</i> |
| <input type="checkbox"/> <i>SSC-WCO-1624</i> | <input type="checkbox"/> <i>SSC-WCOST-1624</i> |
| <input type="checkbox"/> <i>SSC-WCO-1630</i> | <input type="checkbox"/> <i>SSC-WCOST-1630</i> |
| <input type="checkbox"/> <i>SSC-WCO-1636</i> | <input type="checkbox"/> <i>SSC-WCOST-1636</i> |
| <input type="checkbox"/> <i>SSC-WCO-1648</i> | <input type="checkbox"/> <i>SSC-WCOST-1648</i> |

Design and Construction Features

- Type 304 stainless steel construction.
- Two intermediate shelves, adjustable on 1½" (38mm) increments.
- Available with 13" or 16" (330 or 406mm) depth.
- Widths range from 18" to 48" (457 to 1219mm).
- Units with flat top are 31" (889mm) high.
- Units with sloped top are 36" (914mm) high.

Options / Accessories

- Additional shelves
- Custom sizes

EAGLE GROUP

100 Industrial Boulevard, Clayton, DE 19938-8903 USA

Phone: 302-653-3000 • Fax: 302-653-2065

www.eaglegrp.com • www.eaglemhc.com

Foodservice Division: Phone 800-441-8440

MHC Division: Phone 800-637-5100

For custom configuration or fabrication needs, contact our SpecFAB® Division.

Phone: 302-653-3000 • Fax: 302-653-2065 • e-mail: quotes@eaglegrp.com

Certifications / Approvals



SEFA 8 Metal Casework

EG03.03A Rev. 10/20

Spec sheets available for viewing, printing or downloading from our online literature library at www.eaglegrp.com

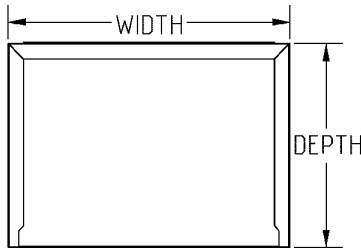
Eagle Foodservice Equipment, Eagle MHC, and SpecFAB® are divisions of Eagle Group. ©2020 by the Eagle Group



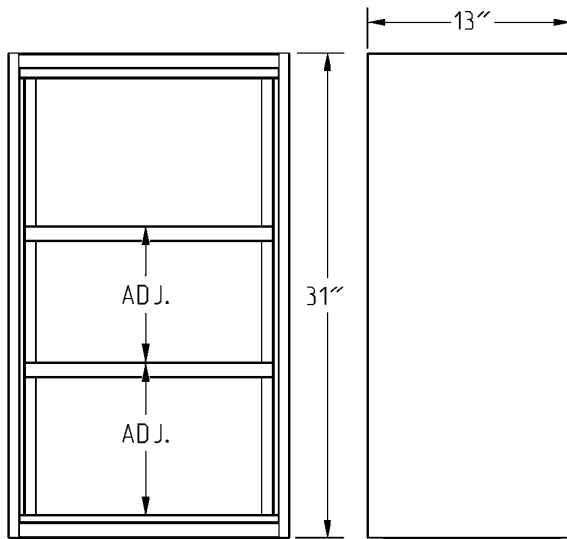
Item No.: _____
 Project No.: _____
 S.I.S. No.: _____

Upper Cabinets—Open Wall Cases

Units with Flat Top



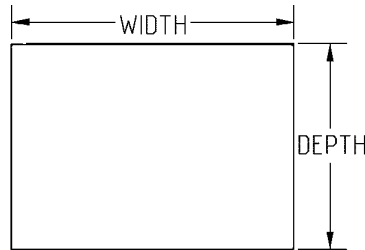
TOP VIEW



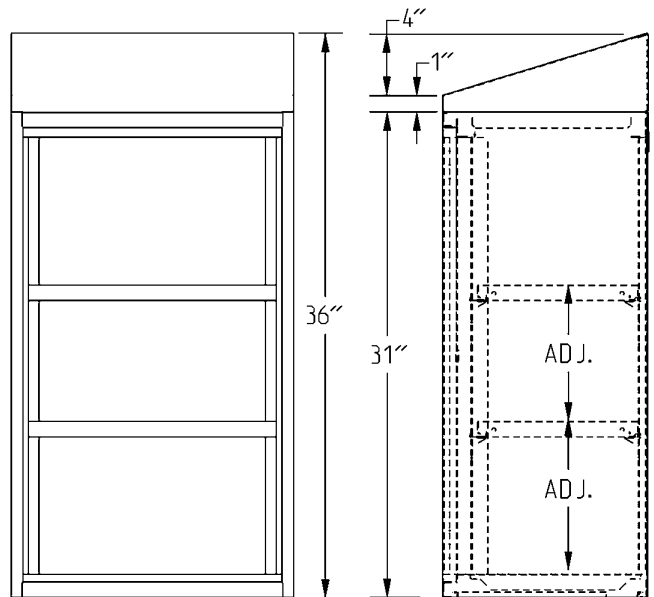
FRONT VIEW

SIDE VIEW

Units with Sloped Top



TOP VIEW



FRONT VIEW

SIDE VIEW

| depth | | width | | weight | | with Flat Top | | with Sloped Top | |
|-------|-----|-------|------|--------|------|---------------------|--------|-----------------|-----------------------|
| in | mm | in | mm | lbs. | kg | model # | weight | weight | model # |
| | | | | | | | lbs. | kg | |
| 13" | 330 | 18" | 457 | 117 | 53.1 | SSC-WCO-1318 | 132 | 59.9 | SSC-WCOST-1318 |
| 13" | 330 | 24" | 610 | 123 | 55.8 | SSC-WCO-1324 | 138 | 62.6 | SSC-WCOST-1324 |
| 13" | 330 | 30" | 762 | 129 | 58.5 | SSC-WCO-1330 | 144 | 65.3 | SSC-WCOST-1330 |
| 13" | 330 | 36" | 914 | 141 | 63.9 | SSC-WCO-1336 | 156 | 70.7 | SSC-WCOST-1336 |
| 13" | 330 | 48" | 1218 | 165 | 74.8 | SSC-WCO-1348 | 180 | 81.6 | SSC-WCOST-1348 |
| 16" | 406 | 18" | 457 | 122 | 55.3 | SSC-WCO-1618 | 137 | 62.1 | SSC-WCOST-1618 |
| 16" | 406 | 24" | 610 | 128 | 58.0 | SSC-WCO-1624 | 143 | 64.9 | SSC-WCOST-1624 |
| 16" | 406 | 30" | 762 | 134 | 60.8 | SSC-WCO-1630 | 149 | 67.6 | SSC-WCOST-1630 |
| 16" | 406 | 36" | 914 | 146 | 66.2 | SSC-WCO-1636 | 161 | 73.0 | SSC-WCOST-1636 |
| 16" | 406 | 48" | 1219 | 170 | 77.1 | SSC-WCO-1648 | 185 | 83.9 | SSC-WCOST-1648 |

EAGLE GROUP
 100 Industrial Boulevard, Clayton, DE 19938-8903 USA
 Phone: 302-653-3000 • Fax: 302-653-2065
 www.eaglegrp.com • www.eaglemhc.com

Foodservice Division: Phone 800-441-8440
 MHC Division: Phone 800-637-5100

Printed in U.S.A.
 ©2020 by Eagle Group
 Rev. 10/20

Spec sheets available for viewing, printing or downloading from our online literature library at www.eaglegrp.com

Although every attempt has been made to ensure the accuracy of the information provided, we cannot be held responsible for typographical or printing errors. Information and specifications are subject to change without notice. Please confirm at time of order.