



Profit from the Eagle Advantage®

# Specification Sheet

## Short Form Specifications

Eagle AdjuSTable® Work Surface System with Cantilevered Overhead System, model \_\_\_\_\_. Heavy gauge (brushed, electropolished) stainless steel top with choice of base combination: one wire undershelf and one C-frame or H-frame, or two C-frames or H-frames. Two 12"-wide (chrome, stainless steel) cantilevered overshelves. Two 33" front posts and two 63" rear posts. Wire undershelves feature patented QuadTruss® design.



AdjuSTable® with Cantilevered Overhead System—shown with two C-frame bases

## Options / Accessories

- Drawers
- Lock
- Casters
- Utility drawers\*\*
- Keyboard stations\*\*
- Additional undershelves

\*\* See spec sheet #EG04.04A for these options.

## EAGLE GROUP

100 Industrial Boulevard, Clayton, DE 19938-8903 USA

Phone: 302-653-3000 • Fax: 302-653-2065

www.eaglegrp.com

Foodservice Division: Phone 800-441-8440

MHC/Retail Display Divisions: Phone 800-637-5100

For custom configuration or fabrication needs, contact our SpecFAB® Division.

Phone: 302-653-3000 • Fax: 302-653-2065 • e-mail: quotes@eaglegrp.com

Item No.: \_\_\_\_\_  
 Project No.: \_\_\_\_\_  
 S.I.S. No.: \_\_\_\_\_

# AdjuSTable® Work Surface System with Cantilevered Overhead System

## MODELS:

- \*2436T-2
- \*2448T-2
- \*2460T-2
- \*3036T-2
- \*3048T-2
- \*3060T-2
- \*3636T-2
- \*3648T-2
- \*3660T-2

\* See chart on back page for complete model numbers.

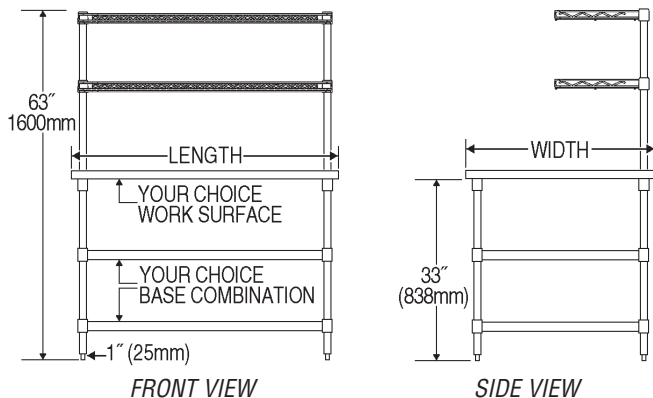
- Stainless steel work surface available in solid or perforated, with brushed or electropolished finish.
- All work surface tabletops feature hat channel underneath for added strength.
- Two 33" (838mm) front posts.
- Two 63" (1600mm) rear posts.
- All posts are numbered in 1" (25mm) increments for flexible and level positioning of the base that you choose. Available in chrome or stainless steel finish.
- Two 12" (305mm)-wide chrome or stainless steel cantilevered shelves mount to rear posts.
- Base combination available with or without wire undershelf, with chrome or stainless steel H-frame(s) or C-frame(s).
- An almost unlimited number of custom configurations can be created by adding undershelves.
- 34½" (876mm) working height.



Item No.: \_\_\_\_\_  
 Project No.: \_\_\_\_\_  
 S.I.S. No.: \_\_\_\_\_

## Adjustable® Work Surface System with Cantilevered Overhead System

To order, choose a work surface (Step 1), then choose a base combination (Step 2). Work surface of your choice is combined with two 33" (838mm) posts, two 63" (1600mm) posts, two 12" ((305mm)-wide cantilevered wire overshelves, and with the base combination of your choice.



### Step 1) Select work surface.

Choose from the following:

**OAC Series** – 16 gauge type 304 brushed stainless steel top with chrome base.

**OAS Series** – 16 gauge type 304 brushed stainless steel top with stainless steel base.

**OAP\* Series** – 14 gauge type 304 brushed stainless steel top with 3/4" (19mm) perforations on 1" (25mm) centers with stainless steel base.

**OAEP Series** – Electropolished solid top with stainless steel base.

**OAPEP\* Series** – Electropolished perforated top with stainless steel base.

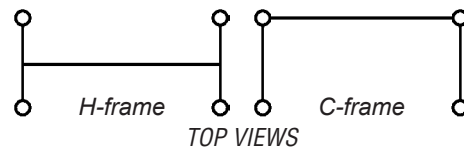
OAC Series	OAS Series	OAP* Series	OAEP Series	OAPEP* Series	width x length		weight	
					in.	mm	lb.	kg
OAC2436T-2	OAS2436T-2	OAP2436T-2	OAEP2436T-2	OAPEP2436T-2	24" x 36"	610 x 914	65	29.5
OAC2448T-2	OAS2448T-2	OAP2448T-2	OAEP2448T-2	OAPEP2448T-2	24" x 48"	610 x 1219	81	36.7
OAC2460T-2	OAS2460T-2	OAP2460T-2	OAEP2460T-2	OAPEP2460T-2	24" x 60"	610 x 1524	97	44.0
OAC3036T-2	OAS3036T-2	OAP3036T-2	OAEP3036T-2	OAPEP3036T-2	30" x 36"	762 x 914	75	34.0
OAC3048T-2	OAS3048T-2	OAP3048T-2	OAEP3048T-2	OAPEP3048T-2	30" x 48"	762 x 1219	94	42.6
OAC3060T-2	OAS3060T-2	OAP3060T-2	OAEP3060T-2	OAPEP3060T-2	30" x 60"	762 x 1524	113	51.3
OAC3636T-2	OAS3636T-2	OAP3636T-2	OAEP3636T-2	OAPEP3636T-2	36" x 36"	914 x 914	85	38.6
OAC3648T-2	OAS3648T-2	OAP3648T-2	OAEP3648T-2	OAPEP3648T-2	36" x 48"	914 x 1219	108	49.0
OAC3660T-2	OAS3660T-2	OAP3660T-2	OAEP3660T-2	OAPEP3660T-2	36" x 60"	914 x 1524	131	59.4

\* Note: For perforated tops, laminar air flow is 23-25% depending on size.

### Step 2) Select base combination.

Must be specified with your choice of work surface. Choose from the following:

- Base with two C-frames.
- Base with one C-frame and one wire shelf.
- Base with two H-frames.
- Base with one H-frame and one wire shelf.



**EAGLE GROUP**  
 100 Industrial Boulevard, Clayton, DE 19938-8903 USA  
 Phone: 302-653-3000 • Fax: 302-653-2065 • [www.eaglegrp.com](http://www.eaglegrp.com)

Foodservice Division: Phone 800-441-8440  
 MHC/Retail Display Divisions: Phone 800-637-5100

Printed in U.S.A.  
 ©2014 by Eagle Group  
 Rev. 07/14

Spec sheets available for viewing, printing or downloading from our online literature library at [www.eaglegrp.com](http://www.eaglegrp.com)

Although every attempt has been made to ensure the accuracy of the information provided, we cannot be held responsible for typographical or printing errors. Information and specifications are subject to change without notice. Please confirm at time of order.