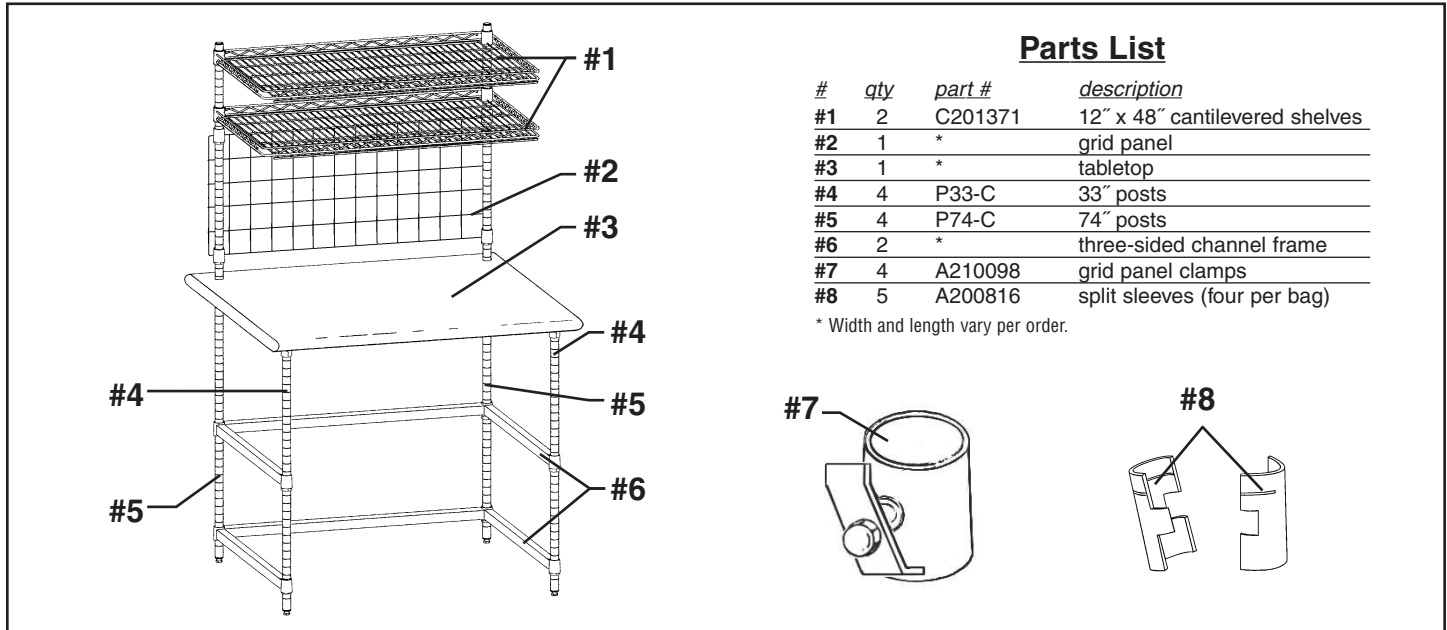


ASSEMBLY INSTRUCTIONS**CAUTION**

INSPECT CONTENTS IMMEDIATELY AND FILE CLAIM WITH DELIVERING CARRIER FOR ANY DAMAGE.

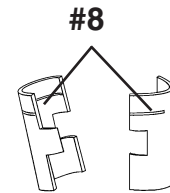
SAVE YOUR BOX AND ALL PACKING MATERIALS.

YOU ARE RESPONSIBLE FOR DAMAGE TO YOUR UNIT IF RETURNED IMPROPERLY PACKED.

**Parts List**

#	qty	part #	description
#1	2	C201371	12" x 48" cantilevered shelves
#2	1	*	grid panel
#3	1	*	tabletop
#4	4	P33-C	33" posts
#5	4	P74-C	74" posts
#6	2	*	three-sided channel frame
#7	4	A210098	grid panel clamps
#8	5	A200816	split sleeves (four per bag)

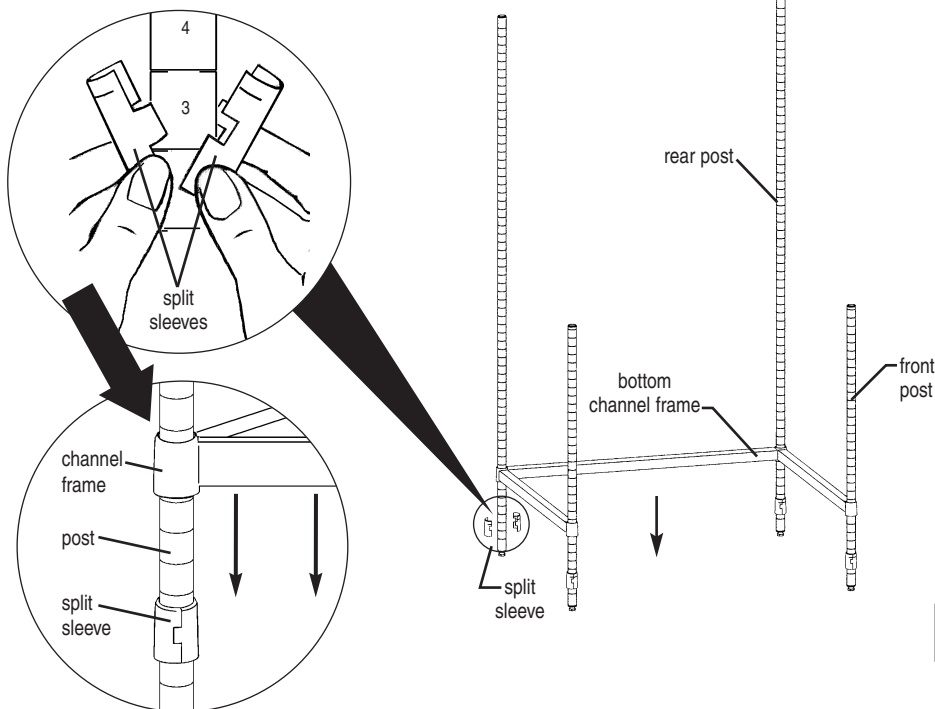
* Width and length vary per order.

**Step 1 - Attach bottom channel frame to posts.**

Snap split sleeve onto each post at the #3 groove (the wider part of the taper goes toward the bottom).

Step 2 - Attach top channel frame to posts.

Repeat **Step 1**, attaching split sleeve onto each post at the desired groove.



(continued on Page 2)

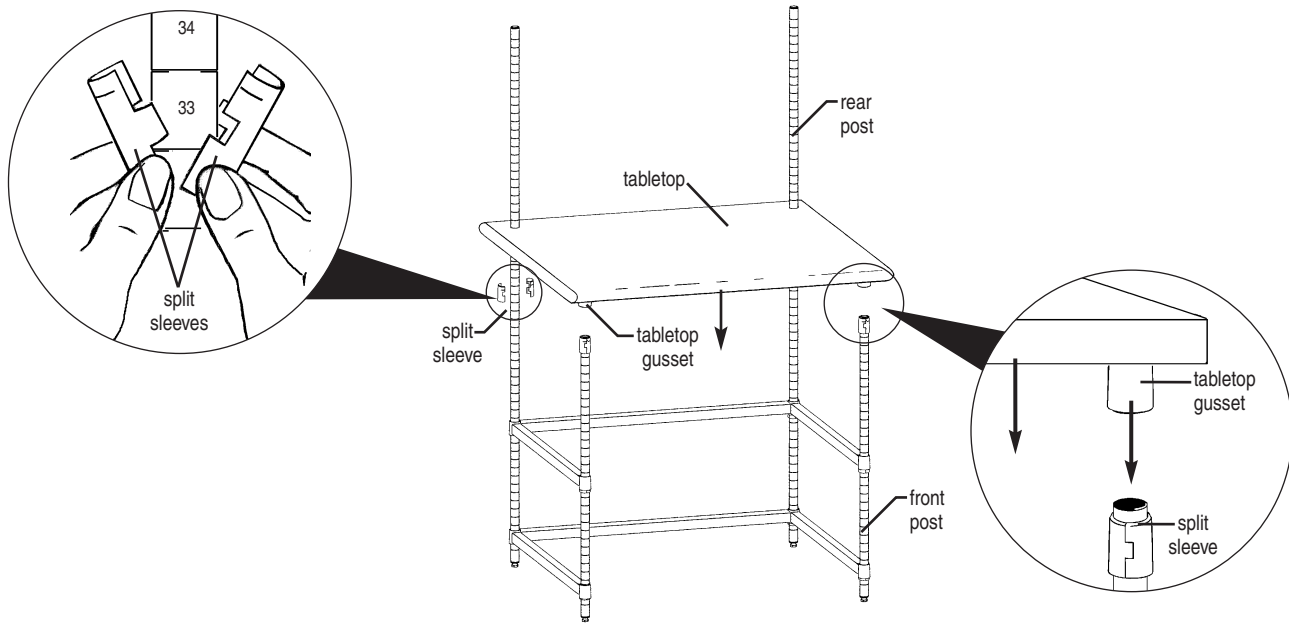
EG10068 Revised 01/07

Modular Desks/Workstations

ASSEMBLY INSTRUCTIONS

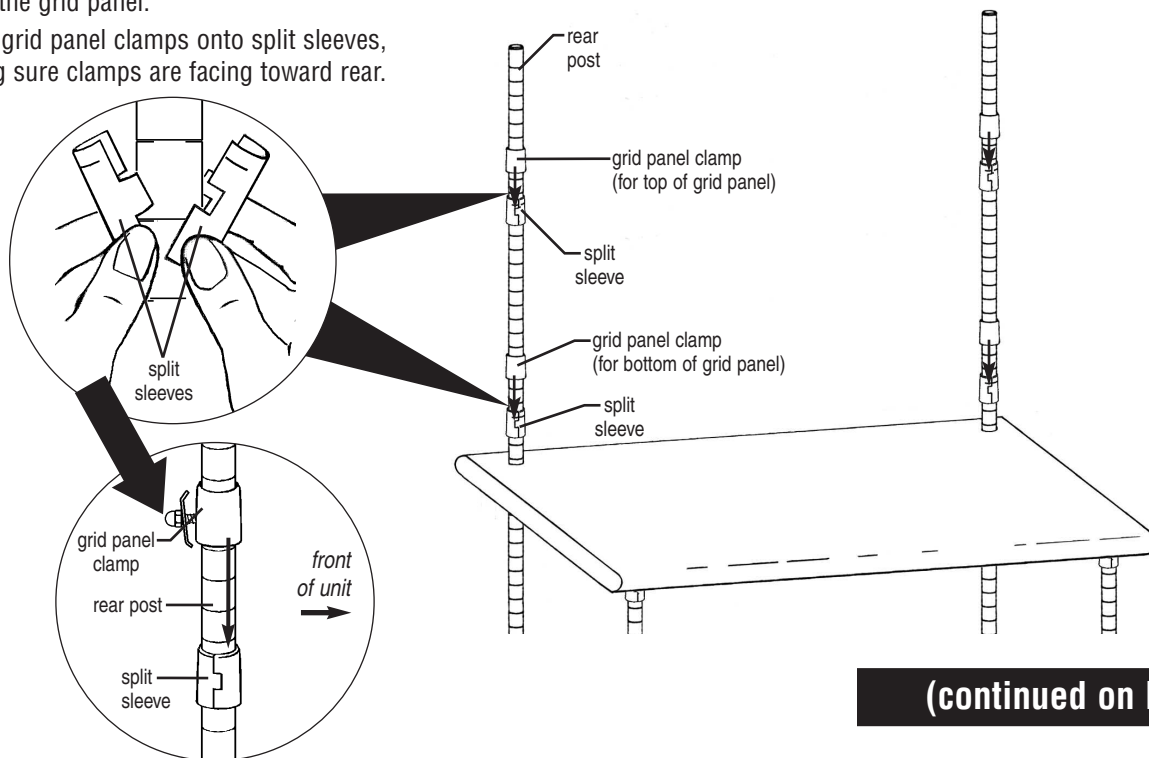
Step 3 - Attach tabletop.

Snap split sleeve onto each post at the #33 groove.



Step 4 - Attach grid panel clamps.

- Snap split sleeves onto desired groove on rear posts.
- Lower grid panel clamps onto split sleeves, making sure clamps are facing toward rear.
- Count 15 grooves up and place split sleeve for the top of the grid panel.
- Lower grid panel clamps onto split sleeves, making sure clamps are facing toward rear.

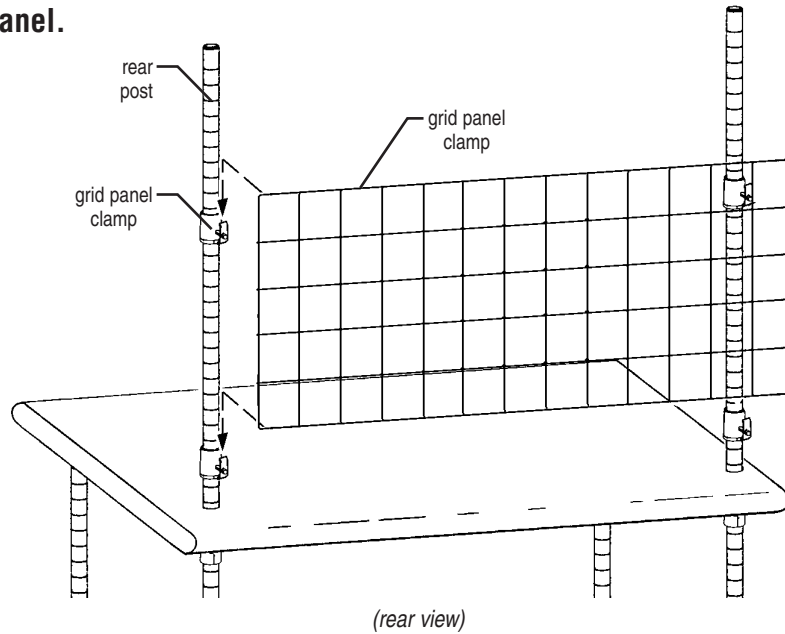


(continued on Page 3)

Modular Desks/Workstations

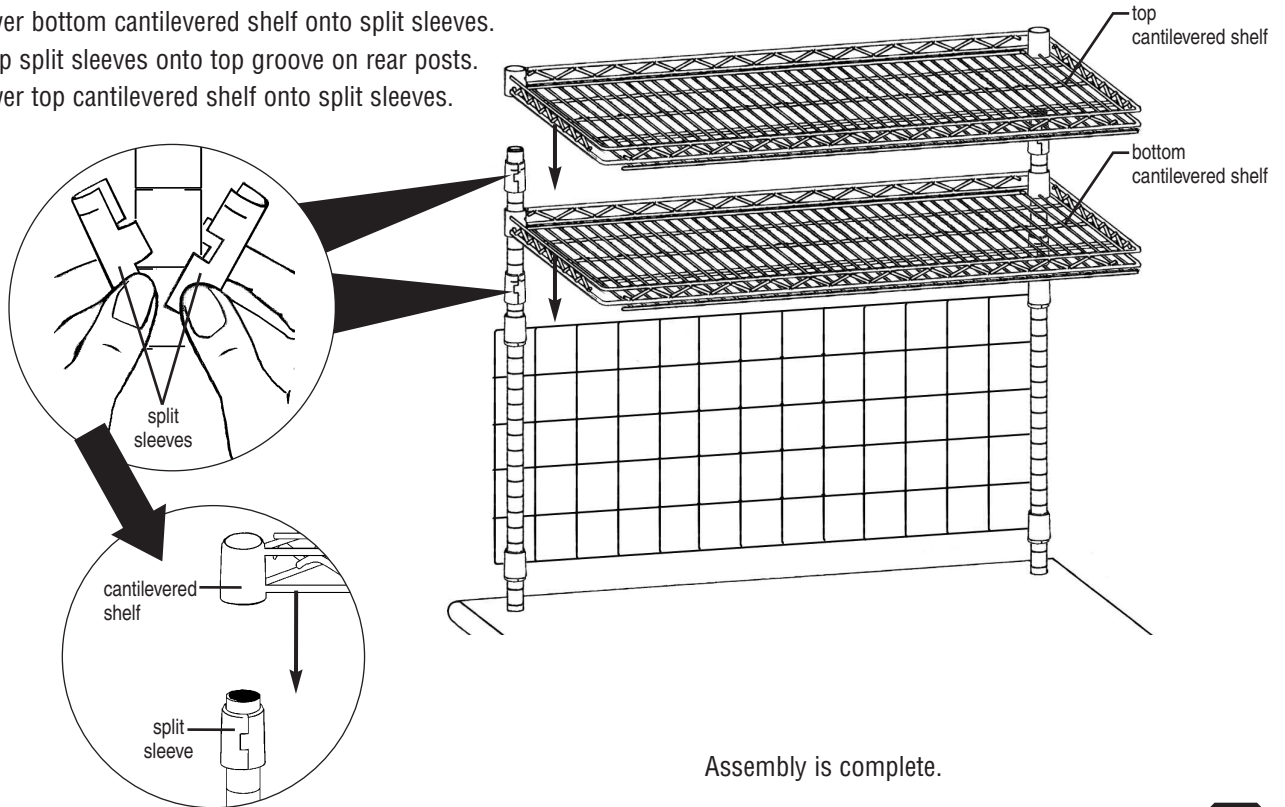
ASSEMBLY INSTRUCTIONS

Step 5 - Attach grid panel.



Step 6 - Attach cantilevered shelves.

- Snap split sleeves onto desired groove on rear posts.
- Lower bottom cantilevered shelf onto split sleeves.
- Snap split sleeves onto top groove on rear posts.
- Lower top cantilevered shelf onto split sleeves.



(End)

Modular Desks/Workstations

WARRANTY

Eagle Foodservice warrants that goods supplied hereunder manufactured by Eagle Foodservice will be free from defects in material and workmanship at the time they leave our factory. Upon factory inspection, we guarantee to replace any shelf that is defective for a period of up to one year from the date of original installation, not to exceed 18 months from date of shipment from Eagle, provided that it has been properly installed and maintained. If a shelf proves to be defective, or not in conformity with the specification, customers are entitled only to replacement of such unit. Under no circumstances will we be liable for any claims for labor or subsequent damage.

To the original owner, Eagle Group warrants against rust formation over more than 5% of the shelving surface as stated below following original date of installation:

	DRY STORAGE	COOLER STORAGE
EAGLEbrite® – 3-year warranty	√	-
Chrome – 1-year warranty	√	-
Valu-Master® – 5-year warranty	√	√
EAGLEgard® – 15-year warranty with MICROGARD®	√	√
Stainless Steel – 15-year warranty	√	√
LIFESTOR® with MICROGARD® *	√	√

* 1-year manufacturer's warranty on all defective component parts.

* Lifetime limited warranty against rust or corrosion on stainless steel posts and stainless steel rails (3-year warranty on zinc with clear epoxy).

Eagle wire shelving must be cleaned with soft cloths and mild detergents. Using abrasive materials, scrapers or stiff brushes will void this warranty, as will physical damage, rupturing the coating or sustained exposure to corrosive substances and vapors. Warranty applies only when shelves have been continuously used within a temperature range from -20°F to +120°F, with intermittent exposure up to +200°F for Valu-Master® or EAGLEgard® epoxy finishes, and up to +175°F for chrome or EAGLEbrite® zinc finishes.

In the event of a warranty claim, an Eagle Group representative will examine the installation and determine return or repair disposition. Repairs will be handled by the initial owner. Returns, including disassembly and subsequent reassembly, become the responsibility of the initial owner. Replacements will be shipped prepaid FOB the nearest distribution point.

There are no warranties which extend beyond these warranties. All other expressed or implied warranties, including those of merchantability or fitness for a particular purpose, which exceed the warranties stated above, are disclaimed by EAGLE Foodservice and excluded from this agreement. No employee or agent of ours has any authority to make any representation or warranty which exceeds the warranties stated above.

NO EAGLE EQUIPMENT MAY BE RETURNED EXCEPT UPON WRITTEN AUTHORIZATION FROM EAGLE FOODSERVICE EQUIPMENT.



• 100 Industrial Boulevard, Clayton, Delaware 19938-8903 U.S.A. • www.eaglegrp.com
• Phone: 302/653-3000 • (Foodservice) 800/441-8440 • (MHC/Retail) 800/637-5100
• Fax: 302/653-2065