

Gowning Benches with Undershaft

—36", 48", and 60" in length

ASSEMBLY INSTRUCTIONS**If your gowning rack is 72"-long, refer to reverse page.****CAUTION**

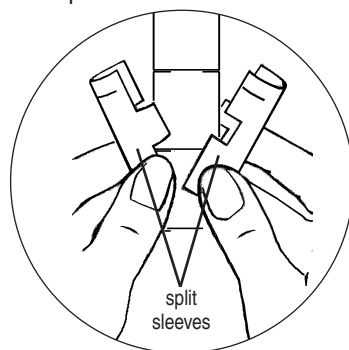
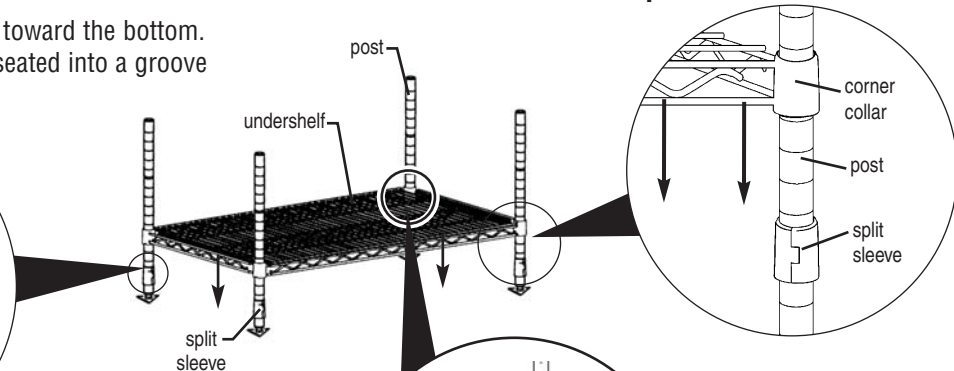
INSPECT CONTENTS IMMEDIATELY AND FILE CLAIM WITH DELIVERING CARRIER FOR ANY DAMAGE.

SAVE YOUR BOX AND ALL PACKING MATERIALS.

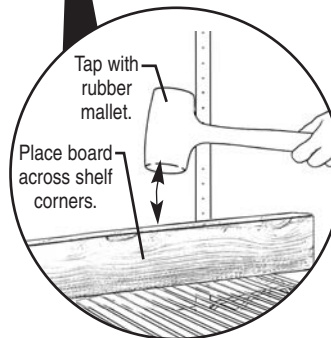
YOU ARE RESPONSIBLE FOR DAMAGE TO YOUR UNIT IF RETURNED IMPROPERLY PACKED.

Step 1 - Attach split sleeves (for undershaft) to lowest groove on posts.

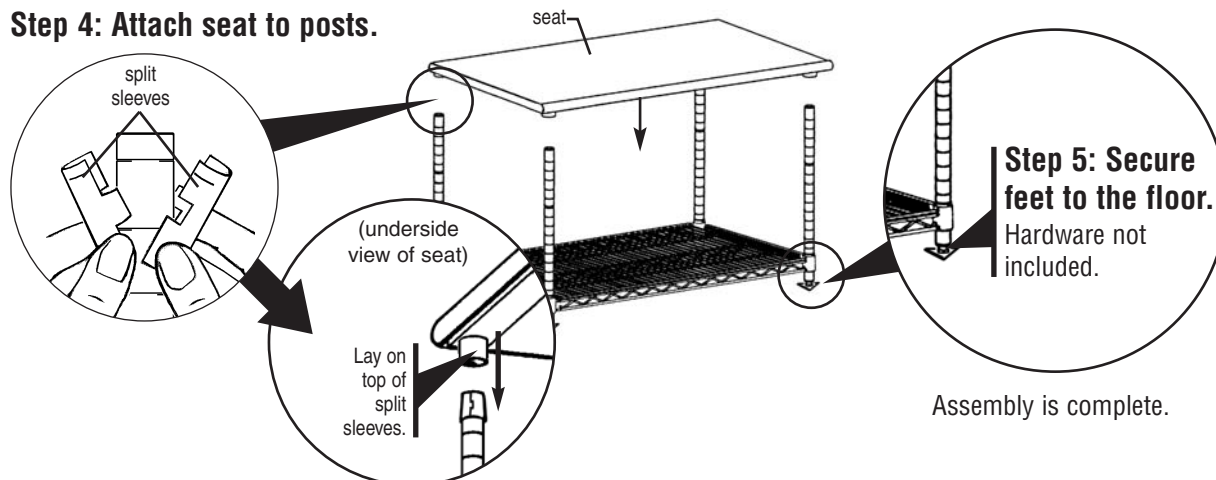
- The wider part of the taper goes toward the bottom.
- Make sure rib on split sleeve is seated into a groove on the post.

**Step 2 - Mount undershaft.****Step 3: Secure undershaft.**

Note: Do NOT hammer directly on wire or corner.



Please note: If additional undershaft was ordered, install *now* by repeating Steps 1 through 3, attaching split sleeves onto middle of posts. Otherwise, proceed to Step 4 below.

Step 4: Attach seat to posts.

Step 5: Secure feet to the floor.
Hardware not included.

Assembly is complete.

(End)

EG10073 Revised 10/07

Gowning Benches with Undershaft

—72" in length

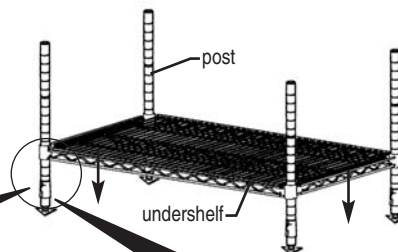
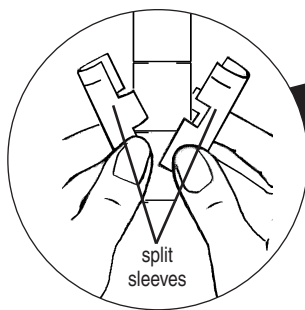
ASSEMBLY INSTRUCTIONS

Please note:

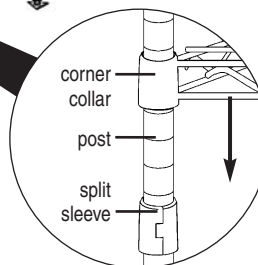
72"-long gowning racks come with SIX posts and TWO wire undershelves.
The enclosed S-hooks will therefore be required to complete assembly.

Step 1 - Attach split sleeves (for first undershelf) to lowest groove on four posts.

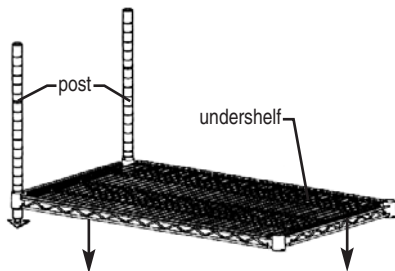
- The wider part of the taper goes toward the bottom.
- Make sure rib on split sleeve is seated into a groove on the post.



Step 2 - Mount first undershelf.

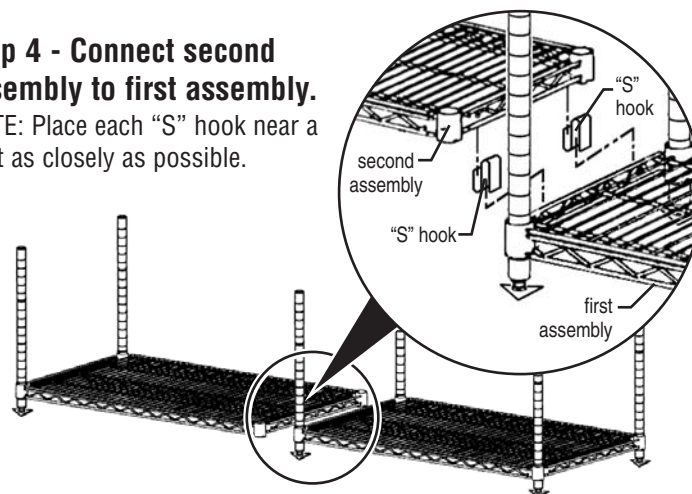


Step 3 - By repeating Steps 1 and 2, attach second undershelf to the two remaining posts.



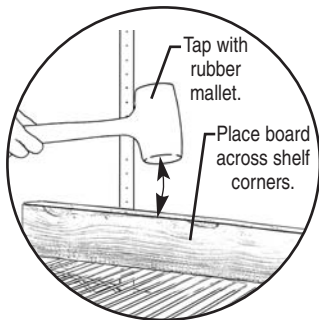
Step 4 - Connect second assembly to first assembly.

NOTE: Place each "S" hook near a post as closely as possible.



Step 5: Secure undershelves.

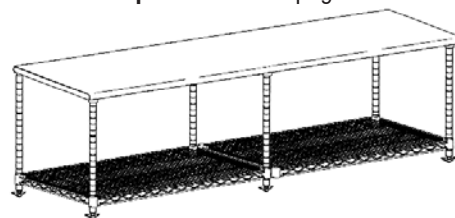
Note: Do NOT hammer directly on wire or corner.



Please note:
If additional undershelves were ordered, install **now** by repeating Steps 1 through 5, attaching split sleeves onto middle of posts. Otherwise, proceed to Step 6.

Step 6: Attach seat to posts.

Refer to Step 4 on reverse page.



Step 7: Secure feet to the floor.

Hardware not included.

Assembly is complete.

(End)