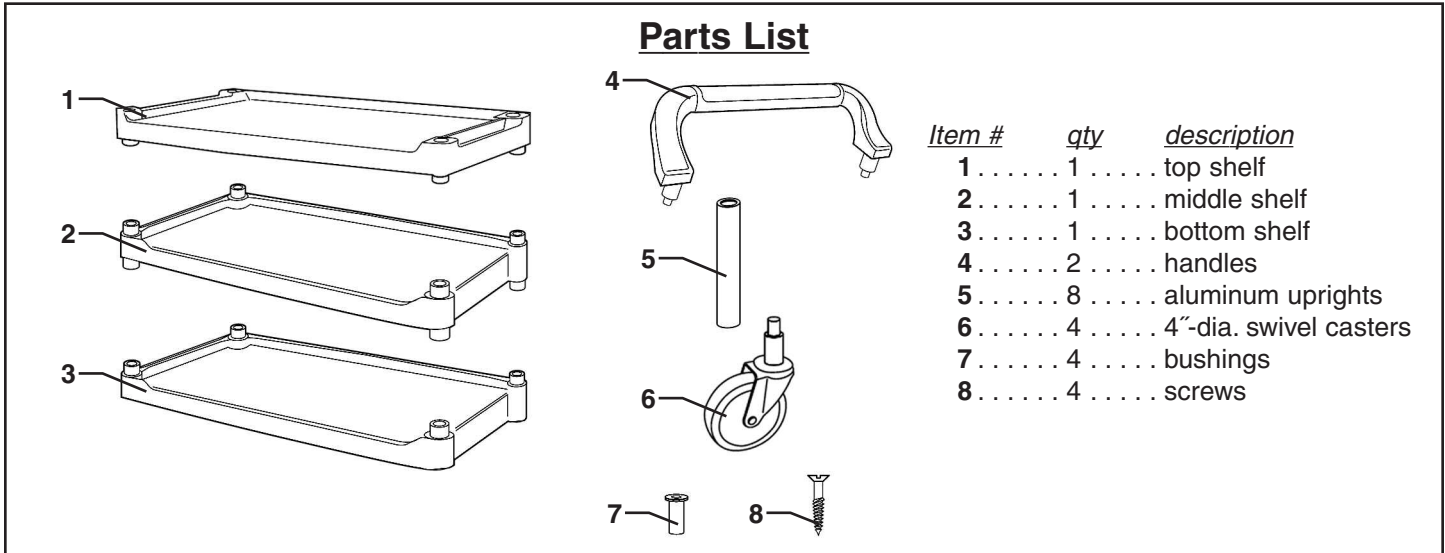


Black Polymer Utility Carts

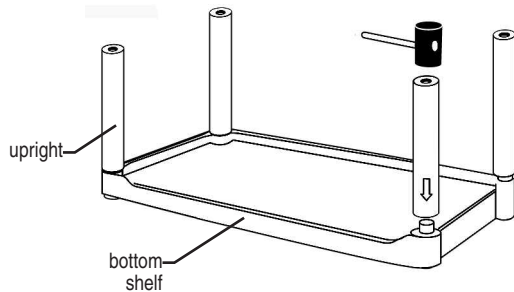
ASSEMBLY INSTRUCTIONS

CAUTION

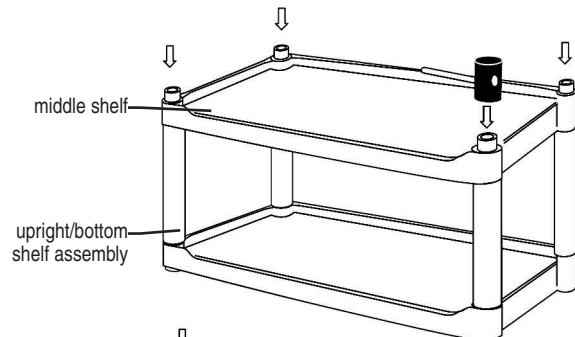
INSPECT CONTENTS IMMEDIATELY AND FILE CLAIM WITH DELIVERING CARRIER FOR ANY DAMAGE.
SAVE YOUR BOX AND ALL PACKING MATERIALS.
 YOU ARE RESPONSIBLE FOR DAMAGE TO YOUR UNIT IF RETURNED IMPROPERLY PACKED.



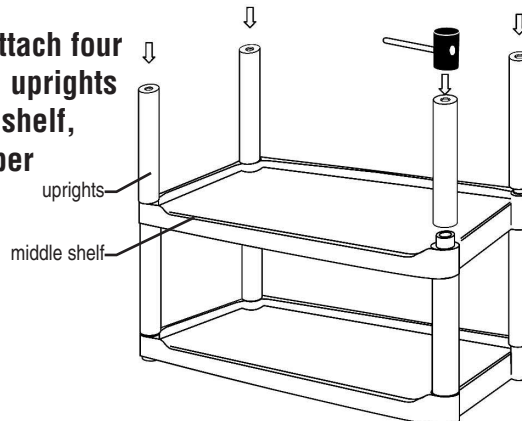
Step 1 - Attach four uprights to topside of bottom shelf, using a rubber mallet.



Step 2 - Attach middle shelf to upright/bottom shelf assembly, using a rubber mallet.



Step 3 - Attach four remaining uprights to middle shelf, using rubber mallet.



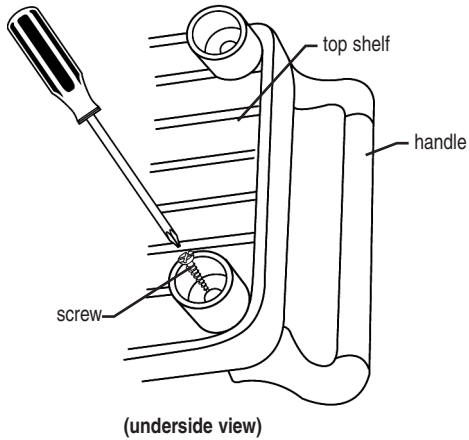
(continued on back page)

EG10090 Revised 05/08

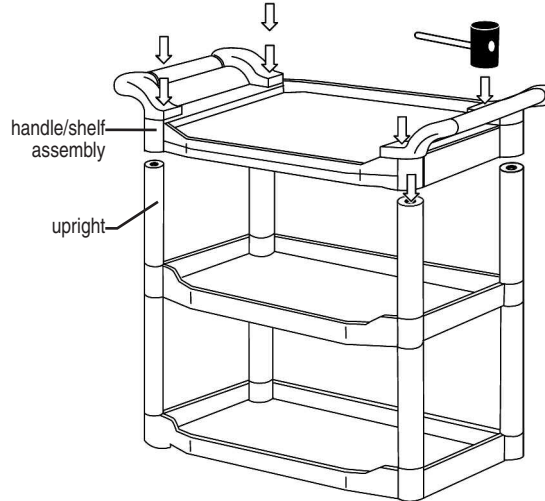
Black Polymer Utility Carts

ASSEMBLY INSTRUCTIONS

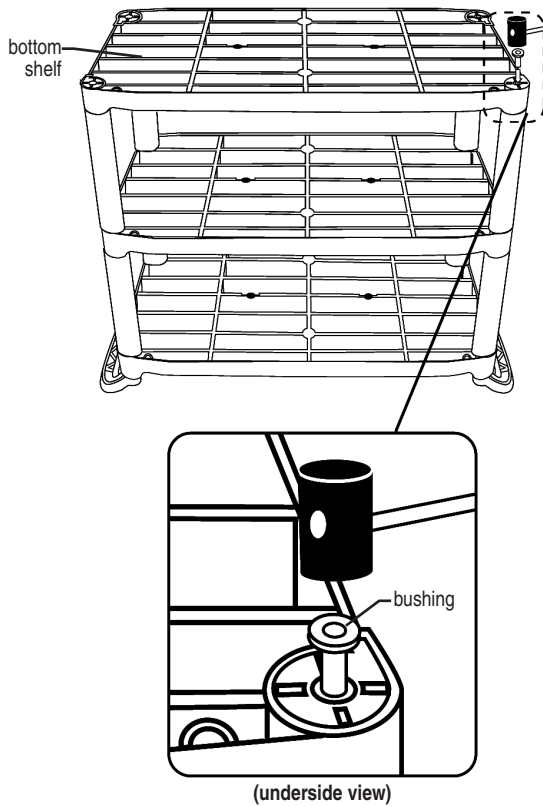
Step 4 - Attach handles to top shelf, using four screws provided and screwdriver.



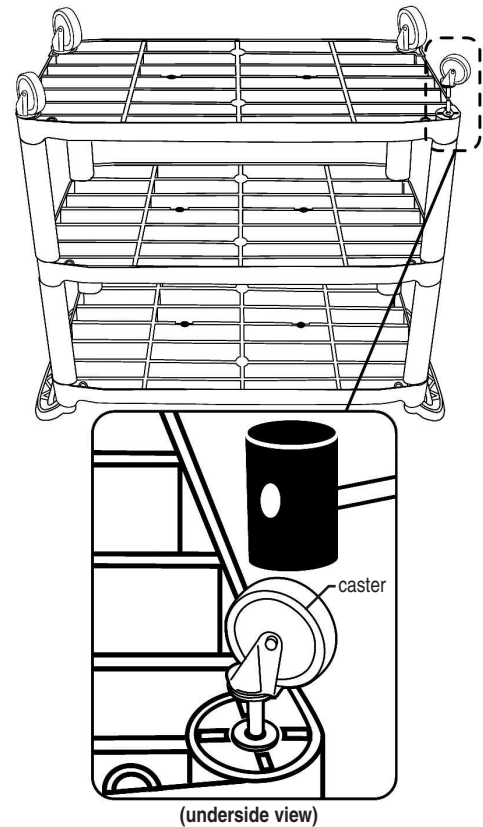
Step 5 - Attach handle/shelf assembly to uprights, using rubber mallet.



Step 6 - Attach bushings to underside of bottom shelf, using rubber mallet.



Step 7 - Attach casters, using rubber mallet.



Assembly is complete.

(End)