



Profit from the Eagle Advantage®

MHC/Retail Display Divisions: (800) 637-5100

FAX: (302) 653-2065

MHC Product Announcement

Short Form Specifications

Eagle Stainless Steel Caster Cradle® caster stabilizing device, model #_____. For stabilizing mobile equipment and correct placement under fire system nozzles. Unique bowl shaped design allows for accurate placement of mobile equipment every time. Units are secured to the floor where the casters are to be centered.

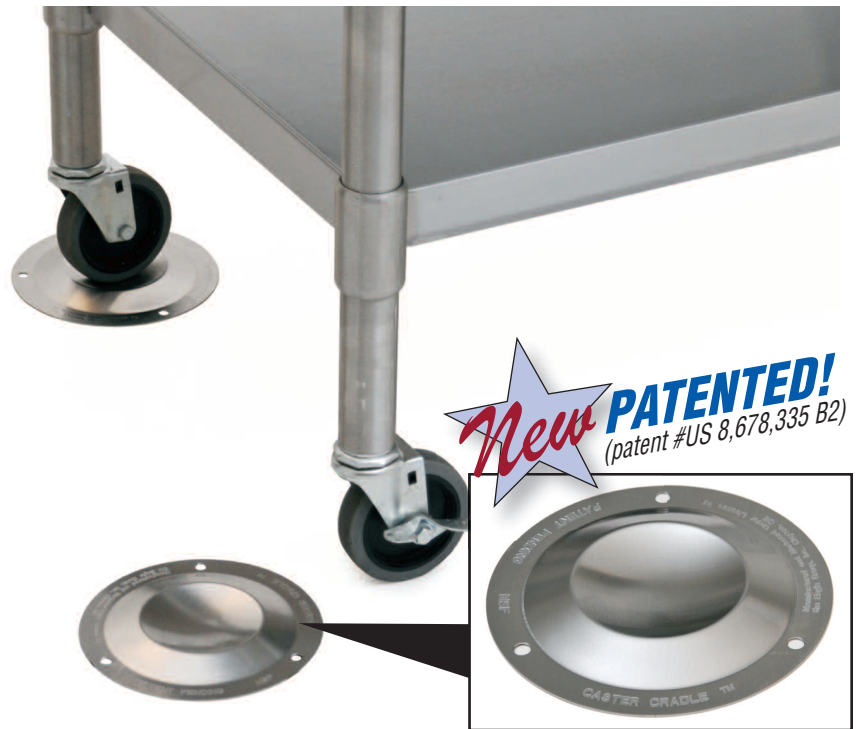
Item #:	_____
Model #:	_____
Project #:	_____
SIS #:	_____

EG8108M Rev. 07/16

- For stabilization of mobile equipment and correct placement under fire system nozzles, using a set of two (typically), placed at rear wheels of equipment with front locking casters.
- When the caster wheel enters anywhere along the edge of the caster cradle, gravity will cause it to drop automatically to the direct center, assuring exact placement of mobile equipment every time.
- Low profile design allows for easy movement of equipment caster into the contoured center.
- Circular design allows approach from any angle, making equipment alignment easy.
- Easy installation in any existing facility.
- Works with casters up to 8"-diameter.
- Heavy gauge stainless steel.
- Can be used to keep any mobile equipment properly aligned throughout the facilities.

Stainless Steel Caster Cradle®

Caster stabilizing device for mobile equipment.

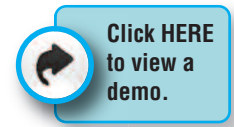


New PATENTED!
(patent #US 8,678,335 B2)

The Caster Cradle® is the only caster stabilizing device having a patented uniform circular design (patent #US 8,678,335 B2) that allows for approach from any angle, utilizing units secured to the floor where the casters of mobile equipment are to be centered. There is no need to line up wheels at the same time while trying to look below the equipment. Just push one rear wheel on an angle and roll it into one of the cradles, and pivot the equipment into the other cradle unit, where exact alignment will be automatic. It's that easy!!

Uses include (but not limited to):

- Surface equipment under practical ventilation
- Pass-through cabinets in wall openings
- Worktables in center aisles
- Counters at tray make-up lines
- Portable machines on equipment stands

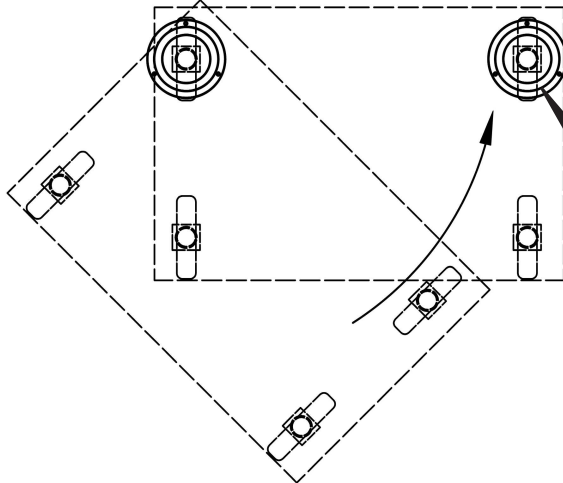


For custom configuration or fabrication needs, contact our **SpecFAB® Division**.
Phone: (302) 653-3000. FAX: (302) 653-2065.
E-mail: quotes@eaglegrp.com



Stainless Steel Caster Cradle[®] Caster Stabilizing Device

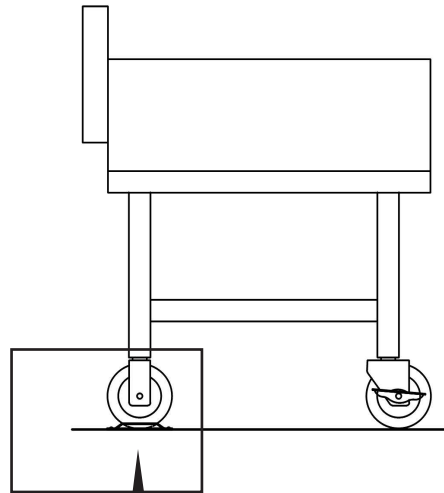
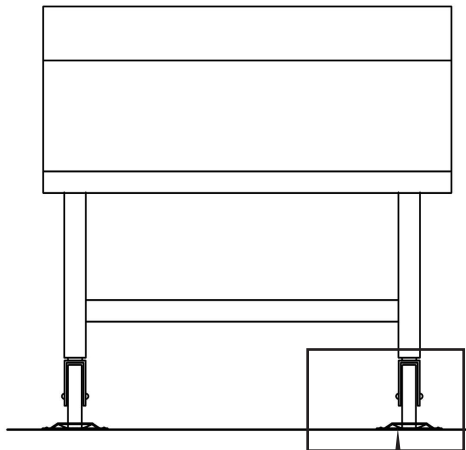
PATENTED!
(patent #US 8,678,335 B2)



description	model #	list/pkg.
quantity of 2 per package	CC-S-2	\$83
quantity of 10 per package	CC-S-10	329
quantity of 60 per package	CC-S-60	1847

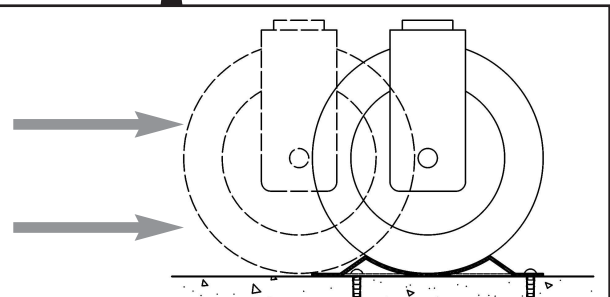
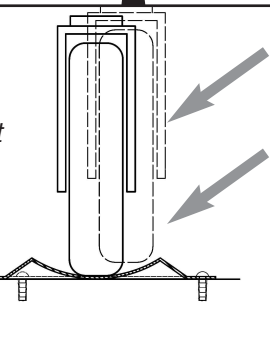
Easy alignment...

The Caster Cradle[®] caster stabilizing device uses typically a set of two units secured to the floor where the rear casters are to be centered. No need to line up both wheels at the same time; Just push one rear wheel on an angle and roll it into one of the cradles, and pivot the equipment into the other cradle unit, where exact alignment will be automatic.



Easy accuracy...

Because of the unique bowl shaped design, there is no need for concern about exact alignment upon approach. When the wheel enters anywhere along the edge of the Caster Cradle[®], gravity will cause it to automatically drop into the direct center, assuring exact placement every time.



Easy movement...

The low profile design allows for easy movement of equipment casters into the contoured center, which securely holds wheels up to 8" in diameter.

The Caster Cradle[®] caster stabilizing device is manufactured and marketed under license, including trademark license, by the Eagle Group.