

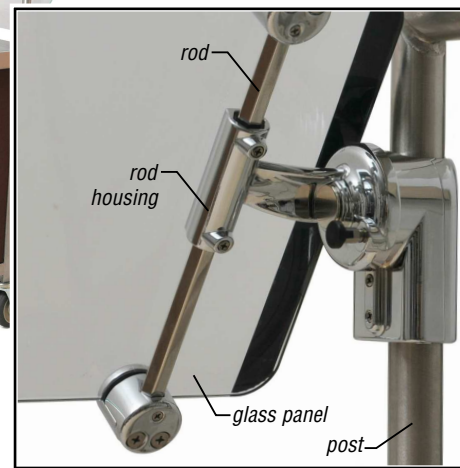
Spec-SHIELD™ Sneeze Guards

Easily adjustable height and angles



NOW PATENTED

Patent Nos. 9,538,868; 9,516,958;
9,339,131; 9,326,621; 9,723,935



Design & Construction Features

- Adjustable height and angle of glass panels!
- No holes in glass panels allows for flexibility in mounting locations.
- Meets latest NSF standards.
- Material: Die-cast high-strength aluminum.
- Finish: Chrome.
- Mounting options: Above or below countertop configurations available.
- End panels as required per NSF.

Tempered Glass Features

- Top flat glass: 3/8"-thick.
- Front and side: 1/4"-thick typical.
- 3/4" radius corners on all glass panels.
- Optional polycarbonate end panels available.
- Optional stainless steel top shelf available.

Post System Features

- 1"-diameter legs.
- Stainless steel.

Accessories

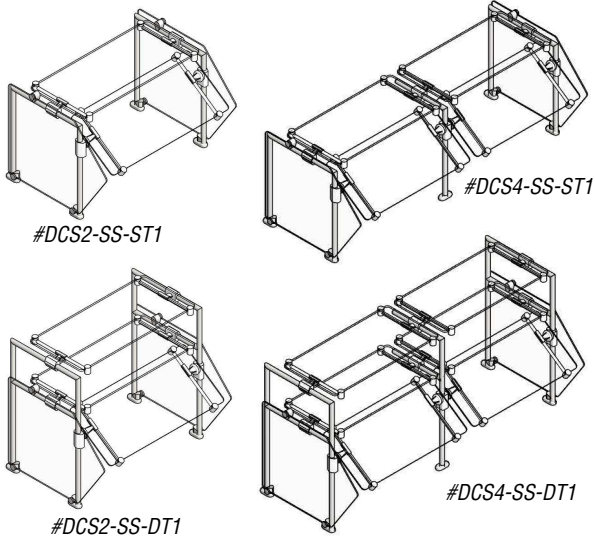
- Heat lamps.
- Lights.



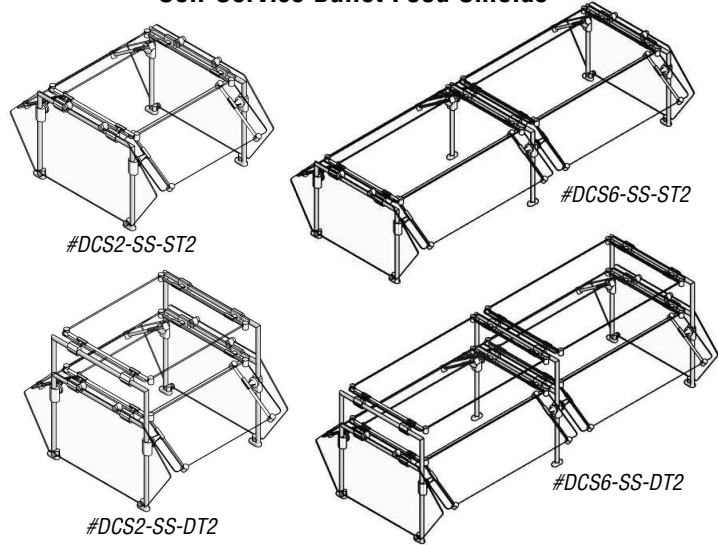
Spec sheets available for viewing, printing or downloading from our online literature library at www.eaglegrp.com

Spec-SHIELD™ Sneeze Guards

Self-Service Food Shields



Self-Service Buffet Food Shields

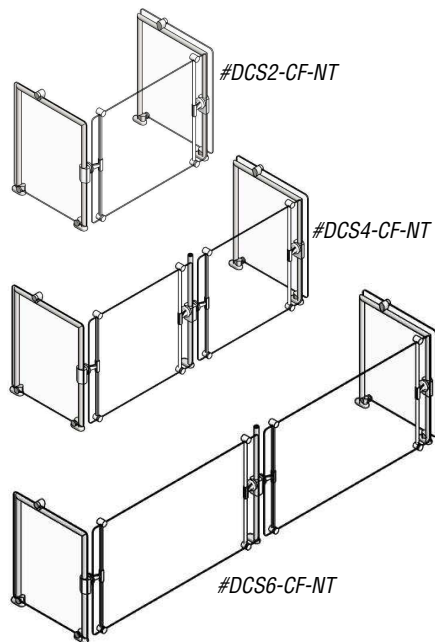


Self-Service Food Shields

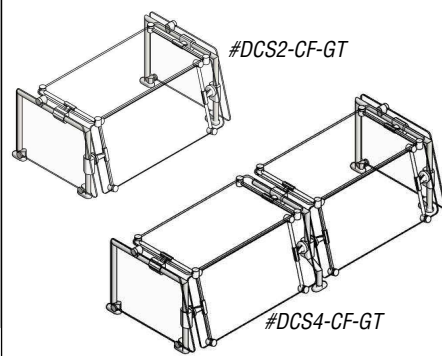
Self-Service Buffet Food Shields

fits Series	# of legs	length		SINGLE-TIER model #		DOUBLE-TIER model #	
		in.	mm				
DCS2	2	36"	914	DCS2-SS-ST1	DCS2-SS-DT1	DCS2-SS-ST2	DCS2-SS-DT2
DCS3	2	50"	1270	DCS3-SS-ST1	DCS3-SS-DT1	DCS3-SS-ST2	DCS3-SS-DT2
DCS4	3	64"	1626	DCS4-SS-ST1	DCS4-SS-DT1	DCS4-SS-ST2	DCS4-SS-DT2
DCS5	3	78"	1981	DCS5-SS-ST1	DCS5-SS-DT1	DCS5-SS-ST2	DCS5-SS-DT2
DCS6	3	96"	2438	DCS6-SS-ST1	DCS6-SS-DT1	DCS6-SS-ST2	DCS6-SS-DT2

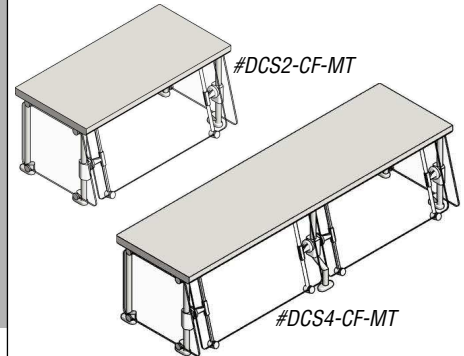
Cafeteria Food Shields with no top...



...with glass top...



...with solid top



Cafeteria Food Shields

fits Series	# of legs	length		WITH NO TOP model #	WITH GLASS TOP model #	WITH SOLID TOP model #
		in.	mm			
DCS2	2	36"	914	DCS2-CF-NT	DCS2-CF-GT	DCS2-CF-MT
DCS3	2	50"	1270	DCS3-CF-NT	DCS3-CF-GT	DCS3-CF-MT
DCS4	3	64"	1626	DCS4-CF-NT	DCS4-CF-GT	DCS4-CF-MT
DCS5	3	78"	1981	DCS5-CF-NT	DCS5-CF-GT	DCS5-CF-MT
DCS6	3	96"	2438	DCS6-CF-NT	DCS6-CF-GT	DCS6-CF-MT