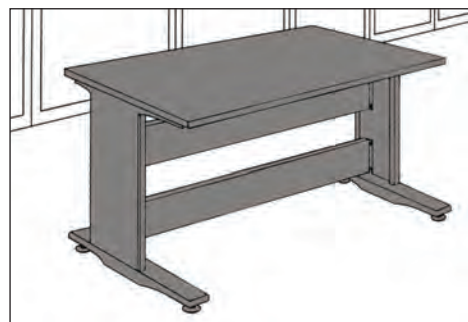
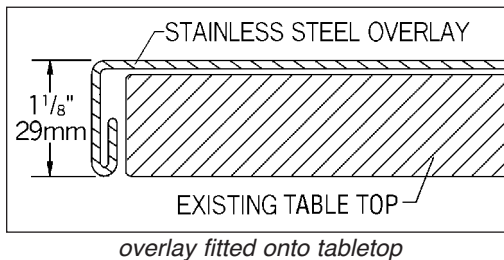
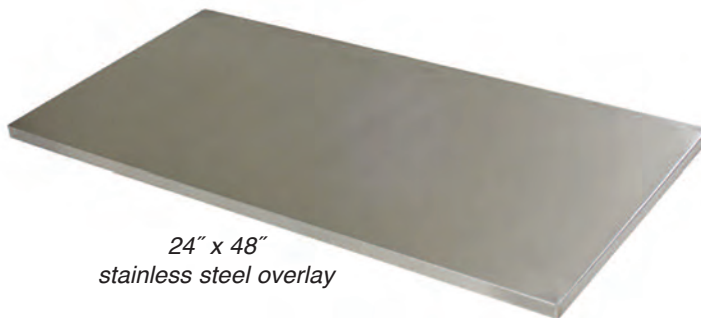


Foodservice Equipment • Material Handling, Healthcare & Cleanroom Equipment • Retail Display

Stainless Steel Overlays for Process Tables



Item #: _____
Model #: _____
Project #: _____
SIS #: _____

- 20 gauge type 304 stainless steel construction with satin finish.
- Effortless installation, no fasteners required. Liquid adhesive could be used per application.
- Durable finish allowing easy cleanup.
- Economical upgrade to existing work surface.
- Hemmed safety edge on all four sides.
- Corners are welded and polished.
- Custom sizes and material gauges are available.

model #	width x length		list
	in.	mm	
353761	24" x 24"	610 x 610	\$405
353762	24" x 30"	610 x 762	426
353763	24" x 36"	610 x 914	454
353764	24" x 48"	610 x 1219	505
353765	24" x 51"	610 x 1295	533
353766	24" x 60"	610 x 1524	624
353767	24" x 72"	610 x 1829	687
353768	24" x 96"	610 x 2438	846
353770	30" x 30"	762 x 762	\$451
353771	30" x 36"	762 x 914	487
353772	30" x 48"	762 x 1219	549
353773	30" x 51"	762 x 1295	573
353774	30" x 60"	762 x 1524	682
353775	30" x 72"	762 x 1829	742
353776	30" x 96"	762 x 2438	919
362659	36" x 72"	914 x 1829	\$1082

NOTE: All widths and lengths are inside measurements.

Spec sheets available for viewing, printing or downloading from our online literature library at www.eaglegrp.com