

Short Form Specifications

Eagle Bottle Coolers, model _____. Foamed-in-place high density polyurethane insulation. Steel cabinet exterior wrapped in durable black vinyl. Top features stainless steel full-length countertop with 1/2" polymer edge, and lockable stainless steel sliding covers, each with extruded pull handles. Comes with removable bottle opener and cap catcher (#BPR-JBC-95 has two), painted aluminum interior, and plastic coated stainless steel dividers (except #BPR-JBC-25). Easily accessible condensing unit. Self-contained refrigeration. Forced-air cooling. Auto defrost. 8-ft. cord and NEMA 5-15 plug.

Item #: _____
 Model #: _____
 Project #: _____
 SIS #: _____

EG8185 Rev. 01/17



Design & Construction Features

- Stainless steel countertop with 1/2" polymer edge.
- Lockable stainless steel sliding covers.
- Black vinyl-clad cabinet.
- Painted aluminum interior.
- Lengths available range from 26 5/8" to 95".
- Includes removable bottle opener and cap catcher*.
- 8' cord with NEMA 5-15P plug.
- 120-volt, 60-cycle, single-phase
- Self-contained refrigeration maintains temperatures at 33°F to 41°F.
- Forced-air cooling.
- Auto defrost**.
- One year parts and labor warranty and five year compressor warranty.

* #BPR-JBC-95 features two removable bottle openers & cap catchers.

** Auto frost included on all units except #BPR-JBC-25

For custom configuration or fabrication needs, contact the **SpecFAB**[®] Division.
 Phone: (302) 653-3000. FAX: (302) 653-2065.
 E-mail: quotes@eaglegrp.com

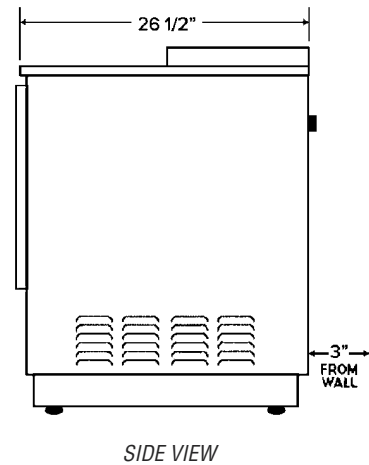
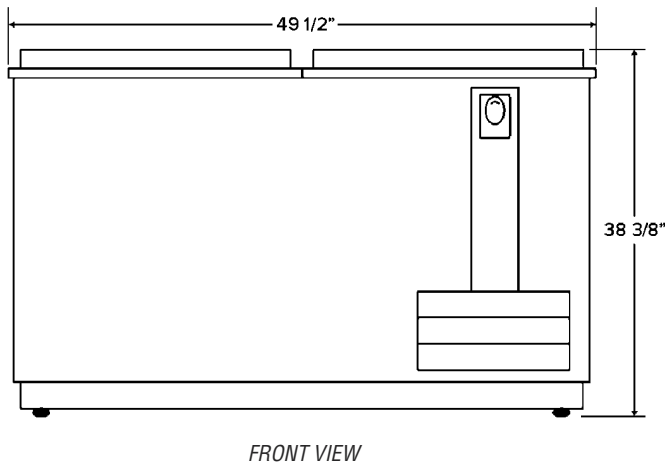
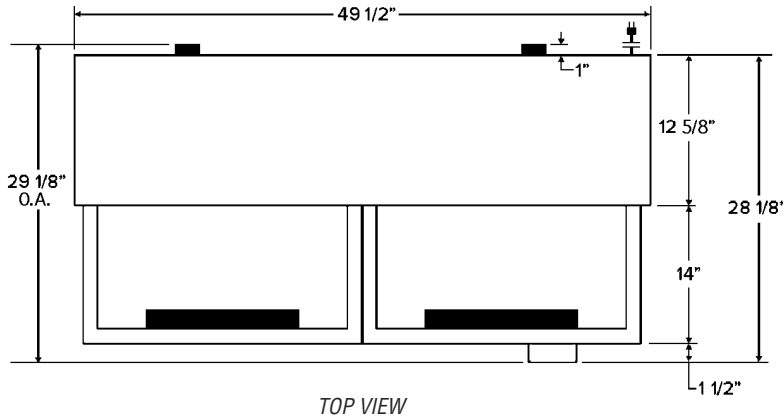
New **Bottle Coolers**
 Here to serve the coldest drinks in town!



model #BPR-JBC-50

There's nothing like a cold beverage—ask your customers! Eagle's new Bottle Coolers are here to serve! Positive airflow cools bottles on top first, and the painted aluminum interior keeps them cold for a long time. The self-contained refrigeration system maintains temperatures between 33°F and 41°F. Also, the stationary side of the stainless steel top, with 1/2" edge, doubles as a countertop. The other half features two individual lockable stainless steel slide covers. For added convenience, removable bottle openers & cap catchers are featured.

Bottle Coolers



(MODEL #BPR-JBC-50 SHOWN)

| width* | | length | | height | | # of sliding covers | capacities | | electrical data** | model # | NET price |
|---------|-----|---------|------|---------|-----|---------------------|--------------|-------------|--------------------|-------------------|--------------|
| in. | mm | in. | mm | in. | mm | | 12-oz. btls | 12-oz. cans | | | |
| 26 5/8" | 676 | 26 5/8" | 677 | 33 3/8" | 848 | 1 | 5 cases | 7 cases | 1/5-HP, 120V, 2.3A | BPR-JBC-25 | \$885 |
| 26 5/8" | 676 | 49 1/2" | 1257 | 33 3/8" | 848 | 2 | 16 1/2 cases | 24 cases | 1/3-HP, 120V, 8.0A | BPR-JBC-50 | 1128 |
| 26 5/8" | 676 | 64 1/2" | 1638 | 33 3/8" | 848 | 2 | 24 cases | 32 cases | 1/3-HP, 120V, 8.0A | BPR-JBC-65 | 1403 |
| 26 5/8" | 676 | 95" | 2413 | 33 3/8" | 848 | 3 | 37 1/2 cases | 55 cases | 1/2-HP, 120V, 8.7A | BPR-JBC-95 | 2059 |

* Excludes bottle opener at front and bumper at rear.
 ** All units are 60-cycle single-phase.

All units feature one year parts and labor warranty and five year compressor warranty.