

**Short Form Specifications**

Eagle Direct Draw Dispenser, model \_\_\_\_\_.  
 Foamed-in-place high density polyurethane insulation. Designed to accommodate all types of kegs. Stainless steel tops with draw line and drip tray. Lockable self-closing doors with recessed handles. Removable door gasket. Stainless steel floor and inner walls. Side-mounted evaporator. Balanced refrigeration system operates at 33°F – 41°F. Cool air directed into draft towers. 8-ft. cord with NEMA 5-15 plug. 24" front-to-rear. 48", 60", and 72" lengths available.

Item #:	_____
Model #:	_____
Project #:	_____
SIS #:	_____

EG8187 Rev. 02/17

**Design & Construction Features**

- Balanced refrigeration system maintains temperatures between 33°F - 41°F.
- Stainless steel tops with stainless steel beer tower(s) and drip trays.
- Durable wear-resistant black coated steel cabinet.
- Type 304 stainless steel floor and inner walls.
- Includes 2-"D" system keg couplers per beer tower.
- Self-closing doors feature recessed handles and keyed locks.
- Removable door gasket for ease of cleaning and replacing.
- Accommodates all types of beer kegs.
- 120-volt, 60-cycle, single-phase electricity
- Side-mounted evaporator optimizes interior cabinet space.
- One year parts and labor warranty and five year compressor warranty.



**Direct Draw Beer Dispensers**  
*Self-Contained Keg Storage and Dispensing Systems*

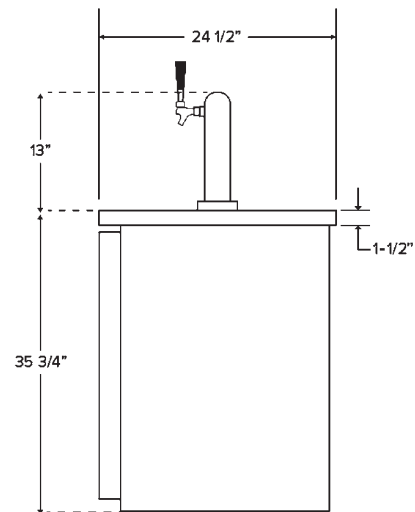
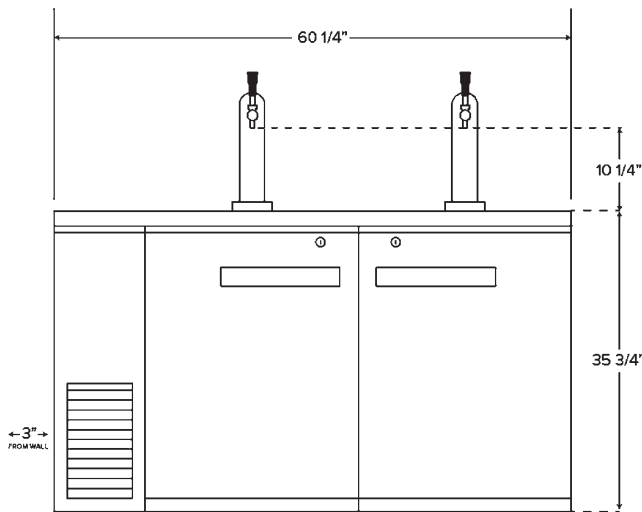
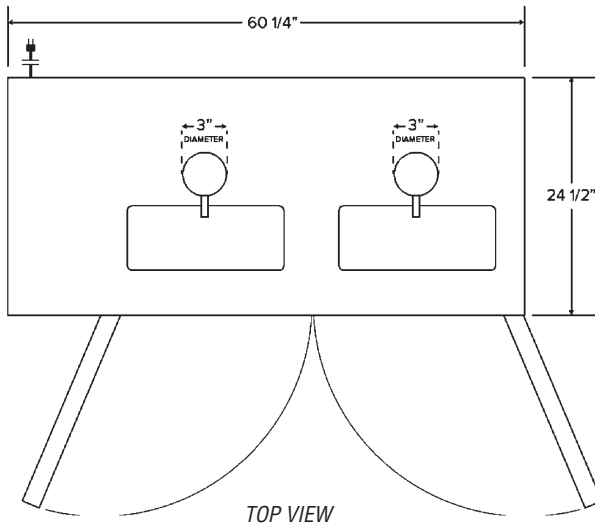


model #BPR-UDD-24-72

*An excellent means for fresh, cold draft beer to be offered at any establishment such as pubs, banquets, taverns etc. Beer towers are tall enough to accommodate pint glasses, full-size beer pitchers, etc. Holds two 1/2 kegs (the 72"-long model hold THREE)! The 1½"-thick stainless steel countertop, with built-in drip trays, sits atop a beautiful yet durable black coated steel cabinet—wear-resistant, easy to clean. Hinged doors with recess handle features keyed lock. 1/3-HP compressor comes with 8-ft. cord and NEMA 5-15 plug.*

For custom configuration or fabrication needs, contact the **SpecFAB**<sup>®</sup> Division.  
 Phone: (302) 653-3000. FAX: (302) 653-2065.  
 E-mail: quotes@eaglegrp.com

# Direct Draw Beer Dispensers



(model #BPR-UDD-24-60 shown)

width	length	height	# of	# of draft	holds up to	electrical data*	model #	NET			
in.	mm	in.	doors	towers				price			
24 1/2"	622	48 3/4"	1238	35 3/4"	908	2	1	(2) 1/2 kegs	1/3-HP, 120V, 6.4A	<b>BPR-UDD-24-48</b>	<b>\$1777</b>
24 1/2"	622	60 1/4"	1530	35 3/4"	908	2	2	(2) 1/2 kegs	1/3-HP, 120V, 6.4A	<b>BPR-UDD-24-60</b>	<b>1833</b>
24 1/2"	622	72 3/4"	1848	35 3/4"	908	3	2	(3) 1/2 kegs	1/3-HP, 120V, 7.4A	<b>BPR-UDD-24-72</b>	<b>2110</b>

\* #All units are 60-cycle, single-phase.

All units feature one year parts and labor warranty and five year compressor warranty.