

# Spec-Master® Drawers for Tables with Channel Frame

(Drawers #502971 and 502972)

## ASSEMBLY INSTRUCTIONS

(For Tables with Angle Frame, see Page 3)

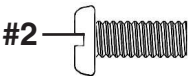
### CAUTION

INSPECT CONTENTS IMMEDIATELY AND FILE CLAIM WITH DELIVERING CARRIER FOR ANY DAMAGE.  
**SAVE YOUR BOX AND ALL PACKING MATERIALS.**  
 YOU ARE RESPONSIBLE FOR DAMAGE TO YOUR UNIT IF RETURNED IMPROPERLY PACKED.


### Parts List

item	qty	part #	description
#1	2	316985	Drawer Mounting Bracket for 24"-wide tables
			or
#1	2	316986	Drawer Mounting Bracket for 30"- and 36"-wide tables
			or
#1	2	316987	Drawer Mounting Bracket for 30"-wide tables
#2	4	308624	#10-24 x 1/2" Screw
#3	4	301492	#10 Lock Washer
#4	4	300755	#10-24 Hex Nut
#5	1		Drawer Enclosure (pan not shown)
#6	4	313630*	#12 x 3/4" Sheet Metal Screw


\* These screws are premounted to the table channel framing (underneath tabletop), and will be used to mount drawer brackets.



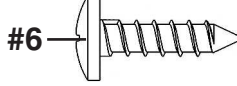
#2



#3



#4

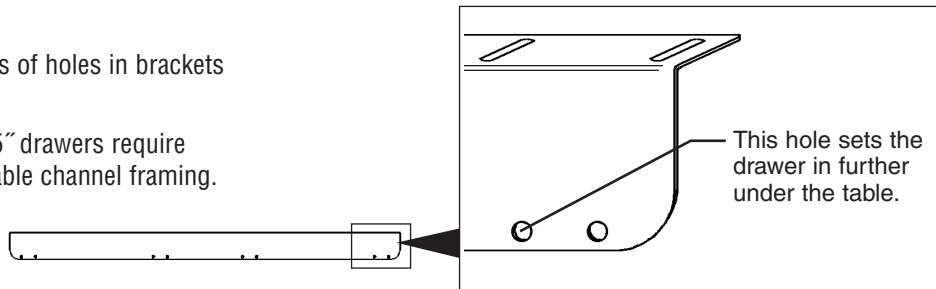


#6

(actual size of hardware)

### Before assembly:

- Determine applicable sets of holes in brackets and in drawer enclosure.
- Please note that 20" x 15" drawers require holes to be drilled into table channel framing.



**(continued on Page 2)**

# Spec-Master® Drawers for Tables with Channel Frame

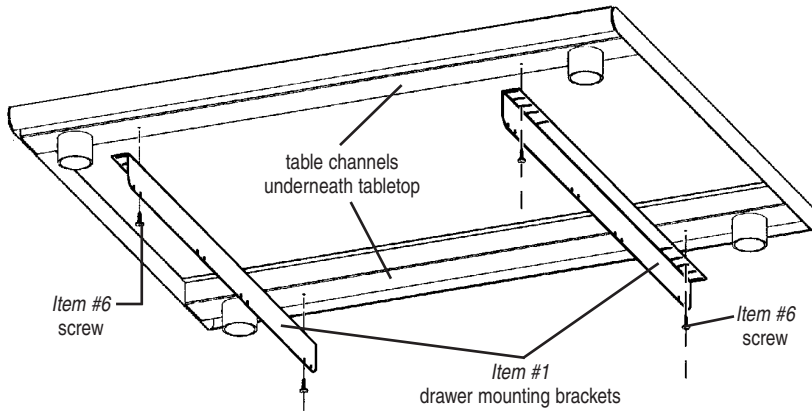
(Drawers #502971 and 502972)

## ASSEMBLY INSTRUCTIONS

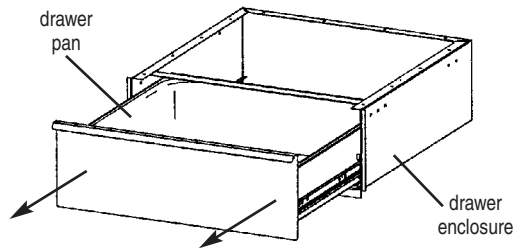
(continued from front page)

### Step 1 - Attach brackets to table channels.

Do NOT tighten down screws.

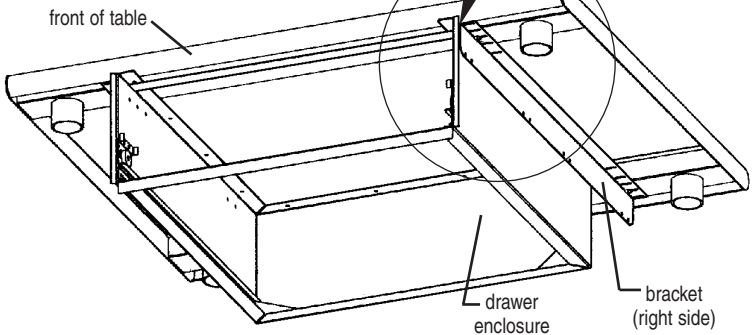


### Step 2 - Remove drawer pan from drawer enclosure.

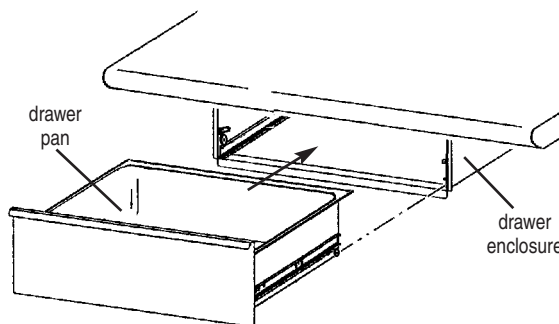


### Step 3 - Attach drawer enclosure to brackets.

Tighten down all hardware.



### Step 4 - Place drawer pan back into drawer enclosure.



(End)

**PLEASE NOTE:**  
To mount drawers onto custom equipment with angle frame construction, kit #605499 is required.

# Spec-Master® Drawers for Tables with Angle Frame

(Drawers #502971 and 502972)

## ASSEMBLY INSTRUCTIONS

### CAUTION

INSPECT CONTENTS IMMEDIATELY AND FILE CLAIM WITH DELIVERING CARRIER FOR ANY DAMAGE.  
**SAVE YOUR BOX AND ALL PACKING MATERIALS.**  
YOU ARE RESPONSIBLE FOR DAMAGE TO YOUR UNIT IF RETURNED IMPROPERLY PACKED.

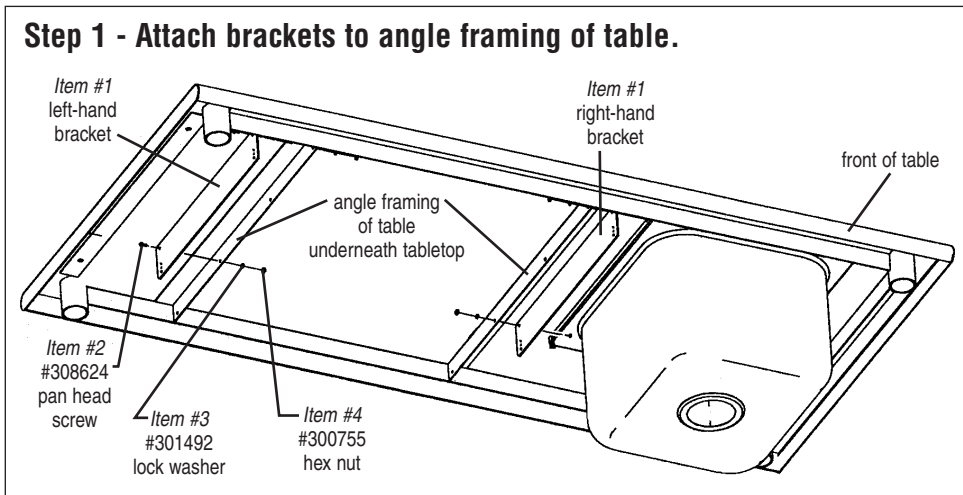
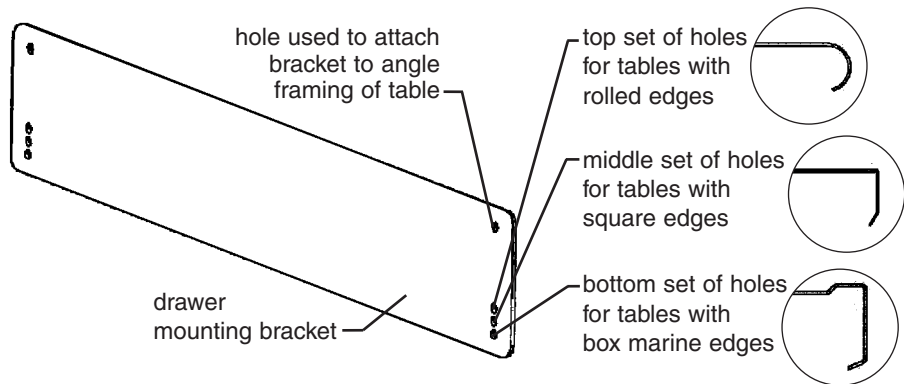
### Parts List

#	qty	part #	description
#1	2	336255	Drawer Mounting Bracket
#2	8	308624	#10-24 x 1/2" Pan Head Screw
#3	8	301492	#10 Lock Washer
#4	8	300755	#10-24 Hex Nut
#5	1		Drawer Enclosure (pan not shown)

(actual size of hardware)

### Before assembly:

- Determine applicable sets of holes in brackets and in drawer enclosure.



(continued on back page)

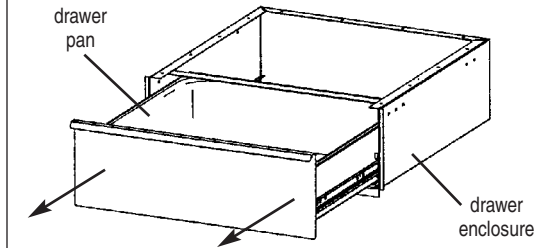
# Spec-Master® Drawers for Tables with Angle Frame

(Drawers #502971 and 502972)

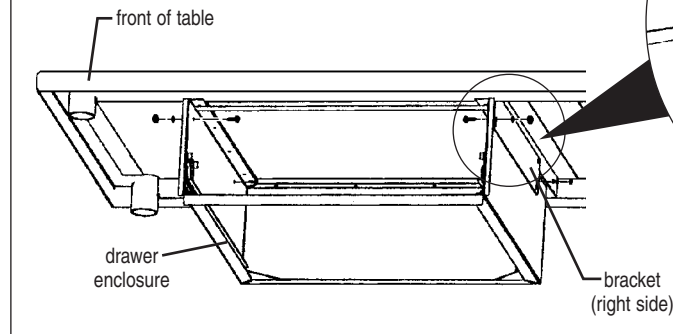
## ASSEMBLY INSTRUCTIONS

(continued from page 3)

**Step 2 - Remove drawer pan from  
drawer enclosure.**



**Step 3 - Attach drawer enclosure to brackets.**

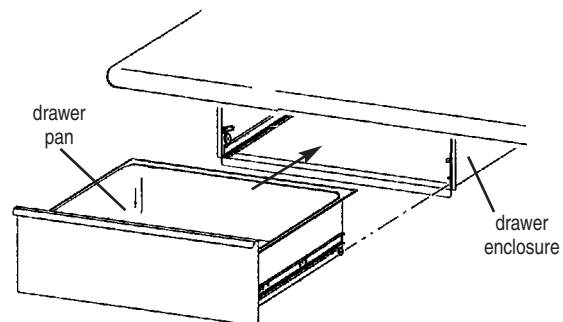


Item #2  
#308624  
screw

Item #3  
#301492  
lock washer

Item #4  
#300755  
hex nut

**Step 4 - Place drawer pan back into drawer  
enclosure.**



**(End)**

**EAGLE**  
GROUP®  
Profit from the Eagle Advantage®

• 100 Industrial Boulevard, Clayton, Delaware 19938-8903 U.S.A. • [www.eaglegrp.com](http://www.eaglegrp.com)  
• Phone: 302/653-3000 • (Foodservice) 800/441-8440 • (MHC/Retail) 800/637-5100  
• Fax: 302/653-2065 or 302/653-3036

Eagle Foodservice Equipment, Eagle MHC, SpecFAB, and Retail Display are divisions of Eagle Group. ©2005 by the Eagle Group