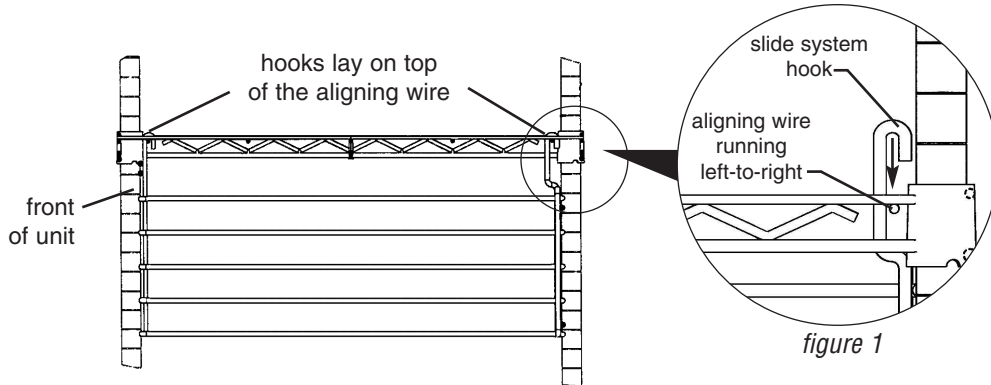


Slide Systems

ASSEMBLY INSTRUCTIONS



Center slide system under desired shelf. Hook to top of the shelf on the wires that run left-to-right as shown in *figure 1*.

Note: Be sure the closed-off end of the slide system faces the back of the shelf. See *figure 2*.

