

Double Gowning Rack**ASSEMBLY INSTRUCTIONS****CAUTION**

INSPECT CONTENTS IMMEDIATELY AND FILE CLAIM WITH DELIVERING CARRIER FOR ANY DAMAGE. **SAVE YOUR BOX AND ALL PACKING MATERIALS.** YOU ARE RESPONSIBLE FOR DAMAGE TO YOUR UNIT IF RETURNED IMPROPERLY PACKED.

| | | | Fasteners | | |
|--------|----------|------------------------|------------------|---|--------------------|
| item # | quantity | description | | | |
| #1 | * | 1/4"-20 x 1/2" Screw | #4 | * | 1/4" Acorn Nut |
| #2 | 8 | 1/4"-20 x 1 3/4" Screw | #5 | * | 1/4" Acorn Nut |
| #3 | 12 | 3/8"-16 x 7/8" Bolt | #6** | 8 | 1/4" Black Plug ** |
| #4 | 4 | 3/8" Stem Glide | | | |

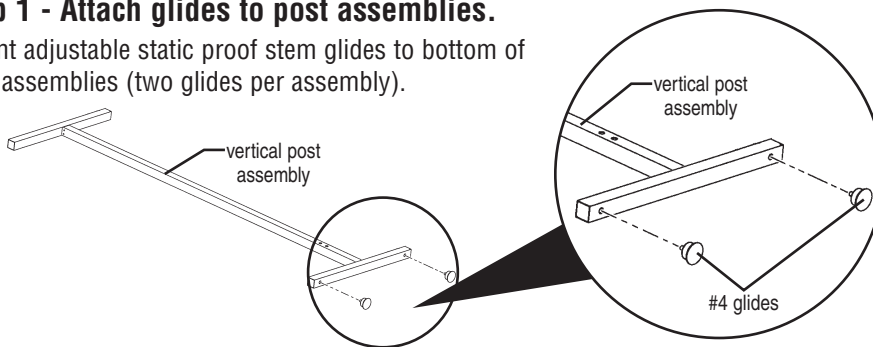
* 8 for removable-hanger models, 16 for nonremovable-hanger models.
** For removable-hanger models only (see Step 5)

Tools required for assembly:

slotted screwdriver, 3/8" socket wrench, and 9/16" open-end wrench.

Step 1 - Attach glides to post assemblies.

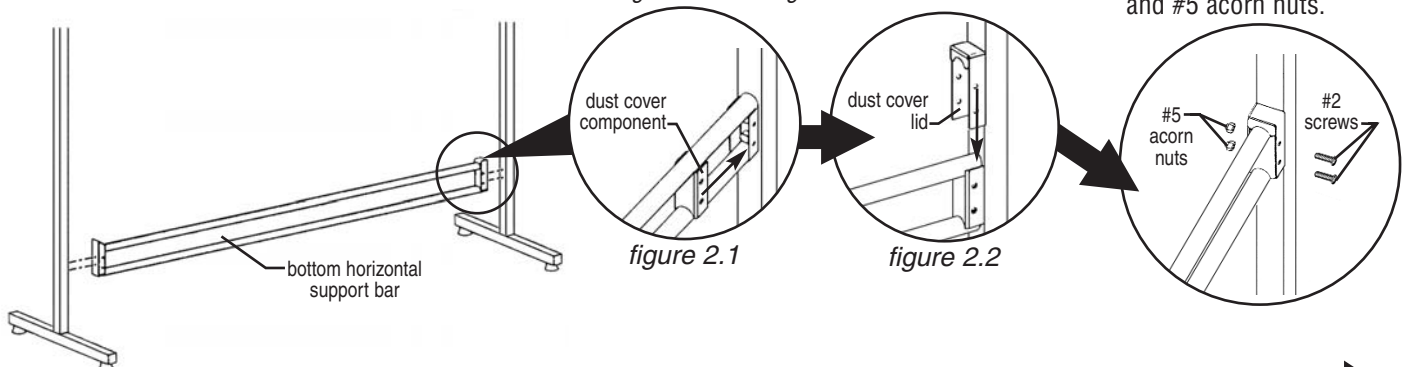
Mount adjustable static proof stem glides to bottom of post assemblies (two glides per assembly).

**Step 2 - Attach bottom horizontal support bar to post assemblies.**

Mount bottom horizontal support bar to both post assemblies with #3 bolts.

Slide on dust covers as shown in figure 2.1 and figure 2.2.

Assemble using #2 screws and #5 acorn nuts.



(continued on page 2)

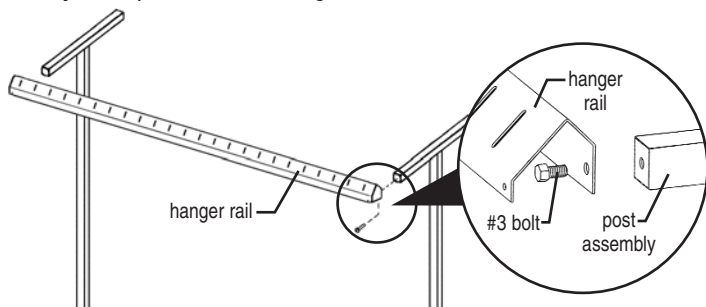
EG9881 Revised 06/08

Double Gowning Rack

ASSEMBLY INSTRUCTIONS

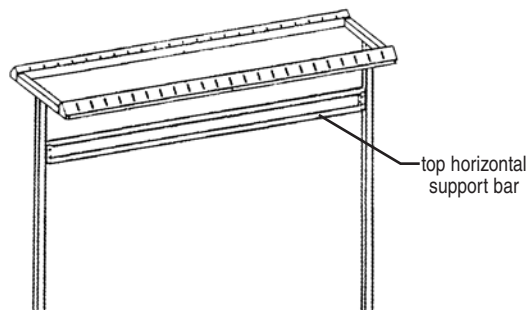
Step 3 - Attach hanger rails.

On each side, attach hanger rail using #3 bolts. Do not tighten bolts yet. Repeat on remaining side.



Step 4 - Attach top horizontal support bar.

Repeating **Step 2**, mount top bar and dust cover assemblies.



Step 5 - Install hangers.

Insert hangers into each hanger rail as shown in *figure 5.1* and *figure 5.2*.

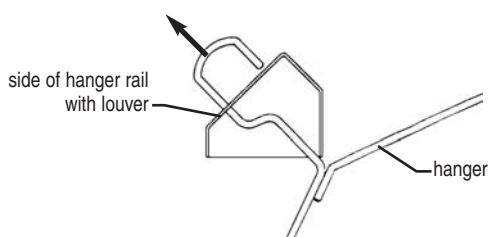


figure 5.1

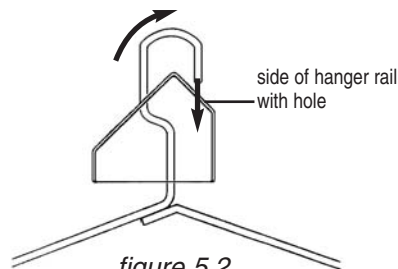
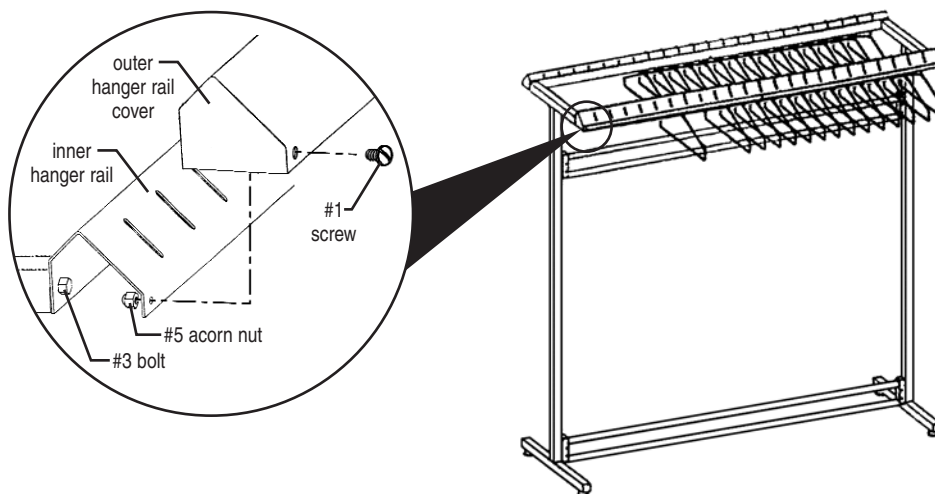


figure 5.2

If removable-hanger gowning rack was ordered, fill remaining holes on each hanger rail with #6 plugs, then tighten #3 bolts (mentioned in **Step 3**) to complete assembly. Otherwise, refer to instructions below.

Optional outer hanger rail cover

Slide optional outer hanger rail cover over each hanger rail, and install using #1 screws and #5 acorn nuts. Tighten #3 bolts.



(End)