

# Single Gowning Rack

## ASSEMBLY INSTRUCTIONS

### CAUTION

INSPECT CONTENTS IMMEDIATELY AND FILE CLAIM WITH DELIVERING CARRIER FOR ANY DAMAGE.  
**SAVE YOUR BOX AND ALL PACKING MATERIALS.** YOU ARE RESPONSIBLE FOR DAMAGE TO YOUR UNIT IF RETURNED IMPROPERLY PACKED.

| Fasteners |     |                        |        |
|-----------|-----|------------------------|--------|
| Item      | qty | description            | part # |
| 1         | 4   | 1/4"-20 x 1/2" Screw   | 314193 |
| 2         | 4   | 1/4"-20 x 1 1/4" Screw | 318070 |
| 3         | 2   | 1/4"-20 x 2" Screw     | 317626 |
| 4         | 4   | 3/8"-16 x 7/8" Bolt    | 303378 |
| 5         | 4   | 3/8" Stem Glide        | 316996 |
| 6         | *   | 1/4" Nut               | 313482 |
| 7         | 4** | 1/4" Black Plug        | 317280 |

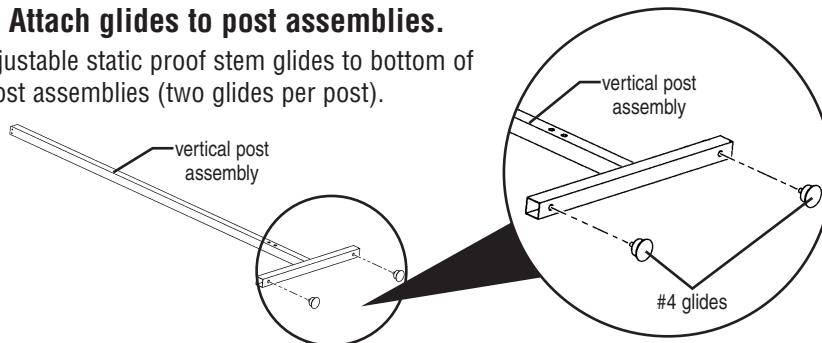
\* 8 for removable-hanger models, 12 for nonremovable-hanger models.  
 \*\* For removable-hanger models only.

### Tools required for assembly:

slotted screwdriver, 3/8" socket wrench, and 1/2" open-end wrench.

### Step 1 - Attach glides to post assemblies.

Mount adjustable static proof stem glides to bottom of vertical post assemblies (two glides per post).

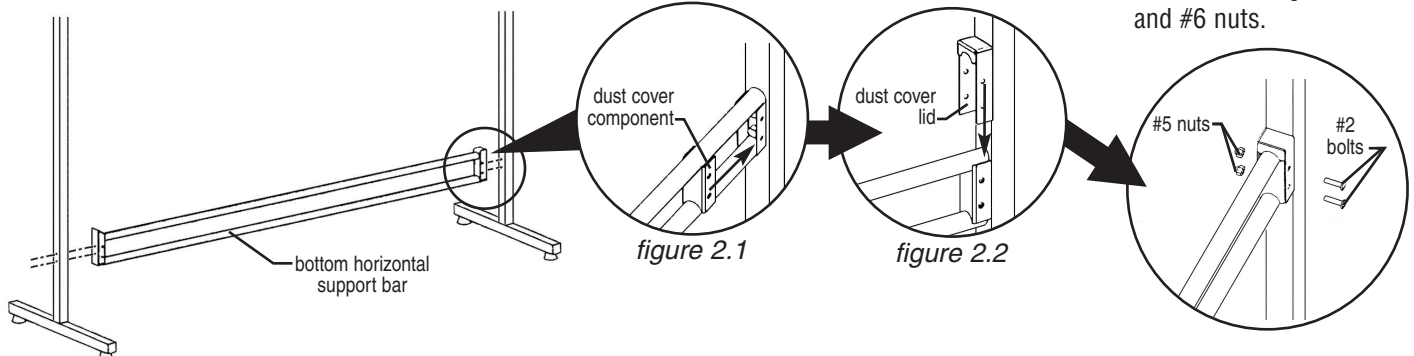


### Step 2 - Attach bottom horizontal support bar to vertical post assemblies.

Mount bottom horizontal support bar to both vertical post assemblies with #4 bolts.

Slide on dust covers as shown in figure 2.1 and figure 2.2.

Assemble using #2 bolts and #6 nuts.



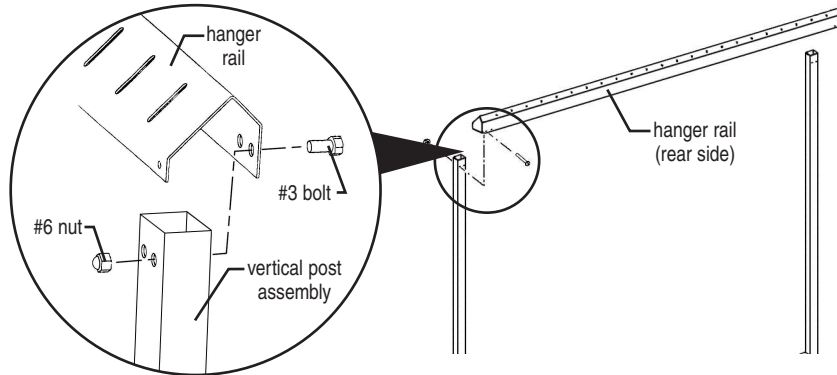
(continued on reverse side)

# Single Gowning Rack

## ASSEMBLY INSTRUCTIONS

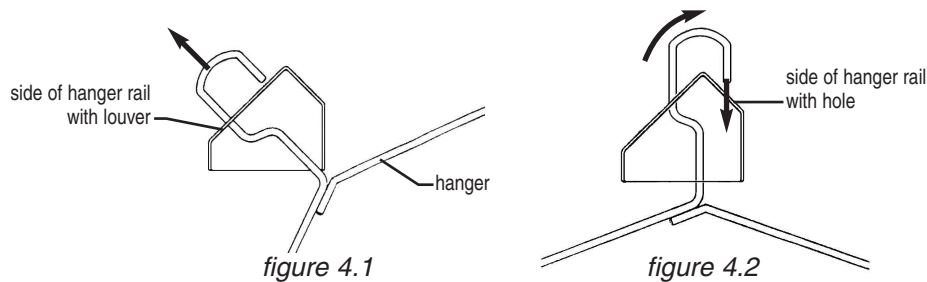
### Step 3 - Attach hanger rail.

Bolt on inner hanger rail, but do not tighten. Assemble using bolt #3 and nut #6.



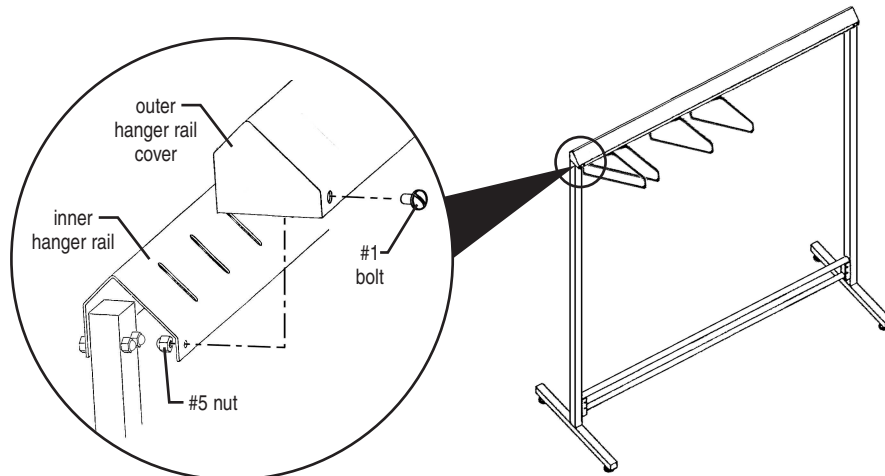
### Step 4 - Install hangers.

Insert hanger as shown in *figure 4.1* and *4.2*. Tighten all hardware.



### Optional outer hanger rail cover

Slide optional outer hanger rail cover over inner hanger rail, and install using #1 bolts and #6 nuts. (Note: If removable hanger gowning rack was ordered, fill hole openings with #7 plugs.)



(End)