

Wine Glass Rack

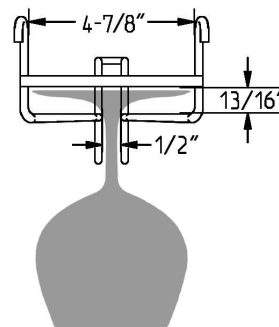
INSTALLATION INSTRUCTIONS

CAUTION

INSPECT CONTENTS IMMEDIATELY AND FILE CLAIM WITH DELIVERING CARRIER FOR ANY DAMAGE.
SAVE YOUR BOX AND ALL PACKING MATERIALS.
YOU ARE RESPONSIBLE FOR DAMAGE TO YOUR UNIT IF RETURNED IMPROPERLY PACKED.

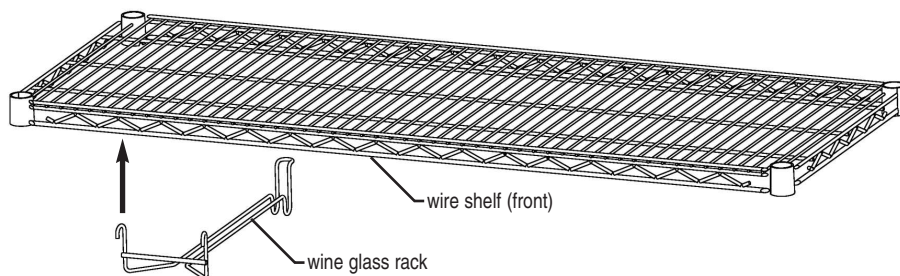
Please note:

- Make sure the Wine Glass Rack can safely accommodate the dimensions of your wine glasses (see illustration at right for dimensions).
- 18"-long Wine Glass Racks fit only onto wire shelves that are 18" front-to-back.
- 24"-long Wine Glass Racks fit only onto wire shelves that are 24" front-to-back.
- No tools are required for installing Wine Glass Racks.



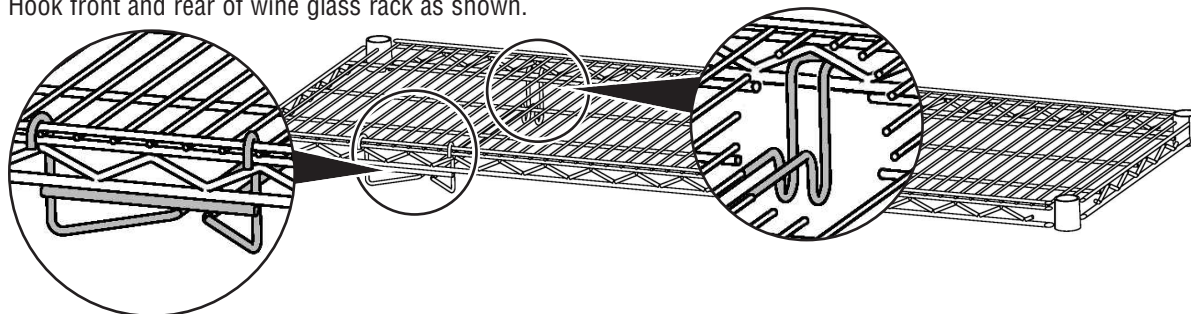
Step 1 - Determine desired location of wine glass rack.

Make sure the front of the rack is with the front of the wire shelf.



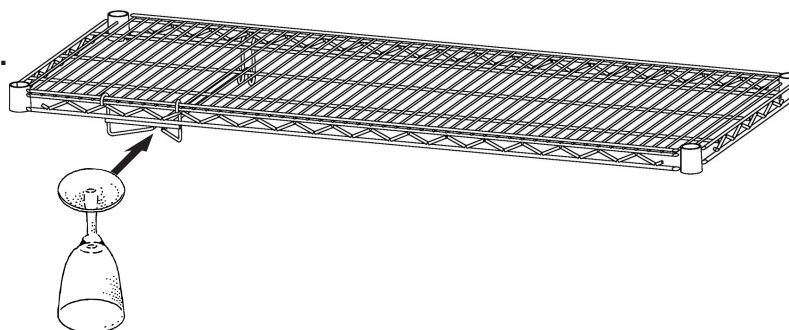
Step 2 - Attach wine glass rack to underside of wire shelf.

Hook front and rear of wine glass rack as shown.



Step 3 - Load rack as desired.

(Glasses not included.)



(End)

EG9890 Revised 02/12