

Cleanroom Tables with H-Frame

ASSEMBLY INSTRUCTIONS

CAUTION

INSPECT CONTENTS IMMEDIATELY AND FILE CLAIM WITH DELIVERING CARRIER FOR ANY DAMAGE.

SAVE YOUR BOX AND ALL PACKING MATERIALS.

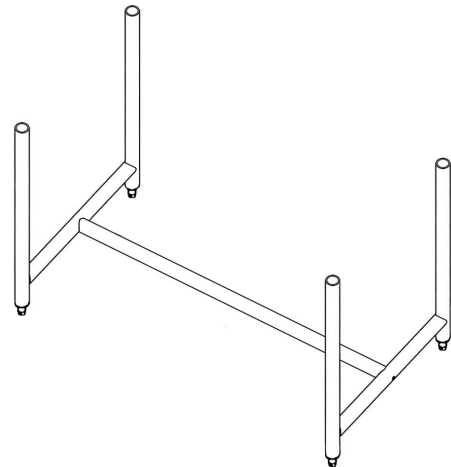
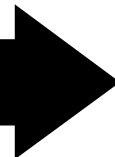
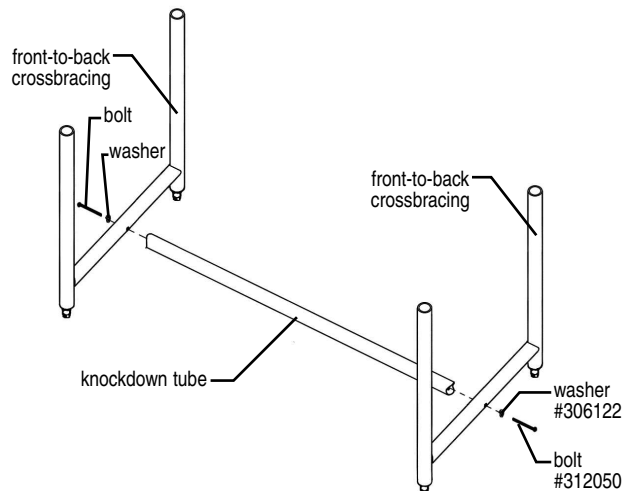
YOU ARE RESPONSIBLE FOR DAMAGE TO YOUR UNIT IF RETURNED IMPROPERLY PACKED.

Please note:

For unit with C-Frame, see reverse side.

Step 1 - Assemble tubular frame.

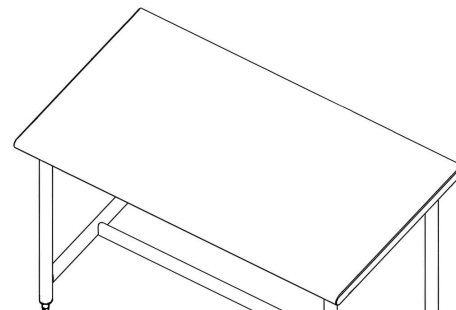
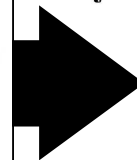
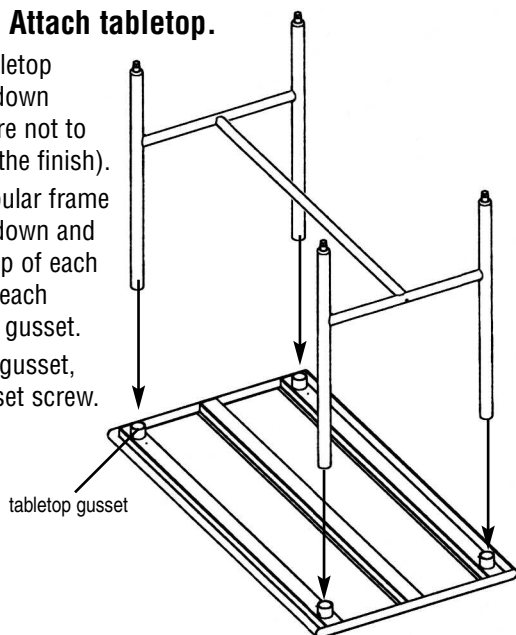
- Attach knockdown tube to front-to-back crossbracings.
- Tighten bolt at each end.



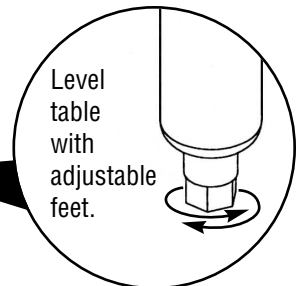
Frame fully assembled.

Step 2 - Attach tabletop.

- Turn tabletop upside-down (take care not to scratch the finish).
- Turn tubular frame upside-down and insert top of each leg into each tabletop gusset.
- At each gusset, tighten set screw.



Assembly is complete.



(End)

EG9895 Revised 06/18

Cleanroom Tables with C-Frame

ASSEMBLY INSTRUCTIONS

CAUTION

INSPECT CONTENTS IMMEDIATELY AND FILE CLAIM WITH DELIVERING CARRIER FOR ANY DAMAGE.

SAVE YOUR BOX AND ALL PACKING MATERIALS.

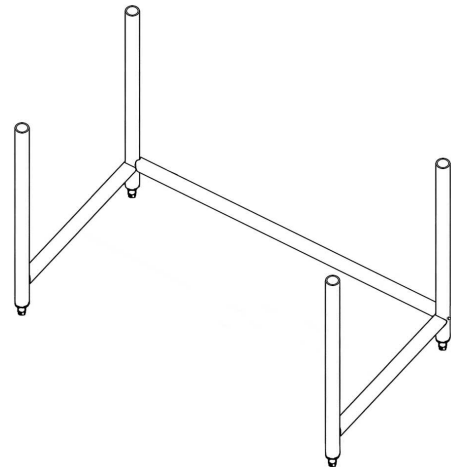
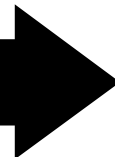
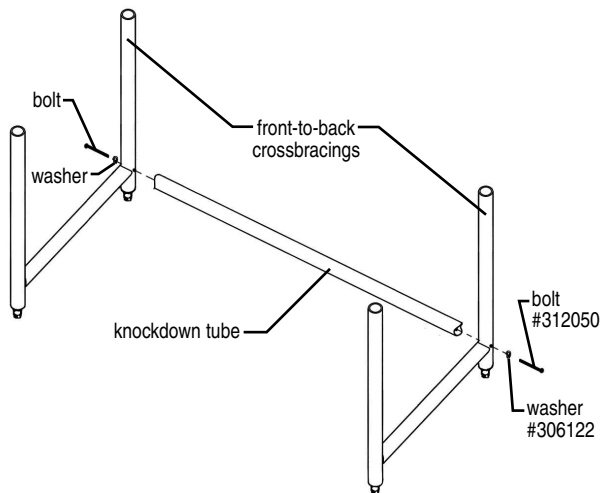
YOU ARE RESPONSIBLE FOR DAMAGE TO YOUR UNIT IF RETURNED IMPROPERLY PACKED.

Please note:

For unit with H-Frame, see reverse side.

Step 1 - Assemble tubular frame.

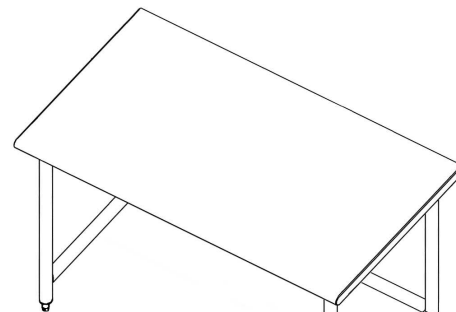
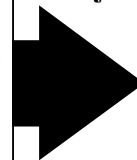
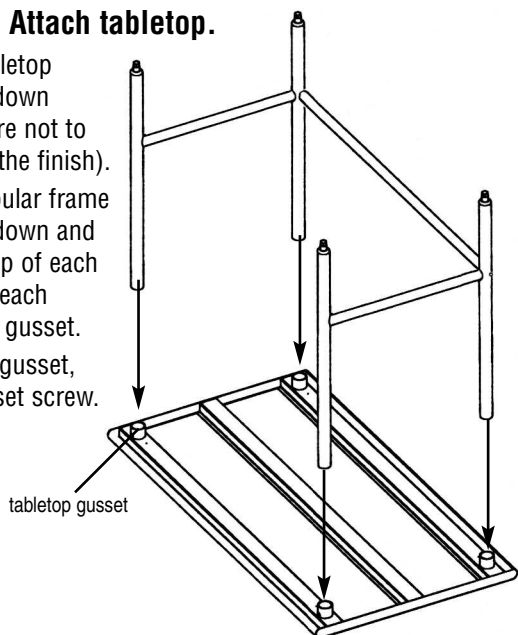
- Attach knockdown tube to front-to-back crossbracings.
- Tighten bolt at each end.



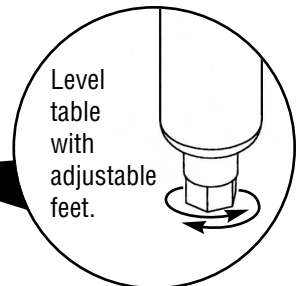
Frame fully assembled.

Step 2 - Attach tabletop.

- Turn tabletop upside-down (take care not to scratch the finish).
- Turn tubular frame upside-down and insert top of each leg into each tabletop gusset.
- At each gusset, tighten set screw.



Assembly is complete.



(End)