

EL Series Solid Gowning Benches with Welded H-Frame

ASSEMBLY INSTRUCTIONS

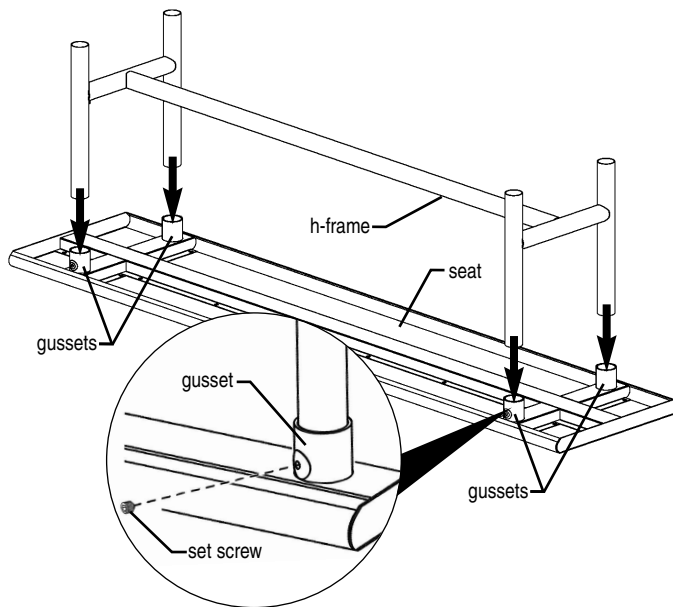
CAUTION

INSPECT CONTENTS IMMEDIATELY AND FILE CLAIM WITH DELIVERING CARRIER FOR ANY DAMAGE.
SAVE YOUR BOX AND ALL PACKING MATERIALS.
YOU ARE RESPONSIBLE FOR DAMAGE TO YOUR UNIT IF RETURNED IMPROPERLY PACKED.

See reverse side for Units with Adjustable H-Frame.

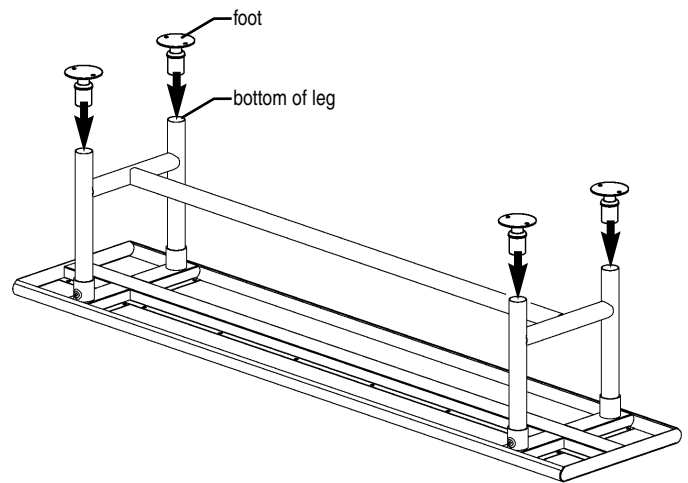
Step 1 - Attach frame to seat.

- Lay seat upside down so that the gussets face upward.
Note: Take care not to scratch the finish.
- Insert legs into gussets.
- Tighten all screws.

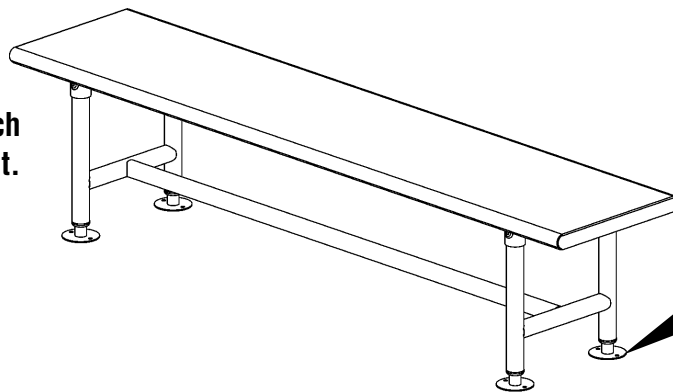


Step 2 - Assemble feet to bottom of legs.

- Use a rubber mallet to insert feet into legs.



Step 3 - Flip the bench onto its feet.



Step 4 - Secure feet to the floor.

Hardware not included.

Assembly is complete.

(End)

EG9928 Revised 11/19

EL Series Solid Gowning Benches with Adjustable H-Frame

ASSEMBLY INSTRUCTIONS

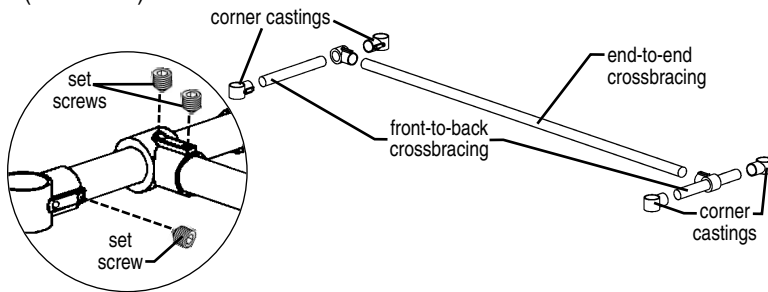
CAUTION

INSPECT CONTENTS IMMEDIATELY AND FILE CLAIM WITH DELIVERING CARRIER FOR ANY DAMAGE.
SAVE YOUR BOX AND ALL PACKING MATERIALS.
YOU ARE RESPONSIBLE FOR DAMAGE TO YOUR UNIT IF RETURNED IMPROPERLY PACKED.

See reverse side for Units with Welded H-Frame.

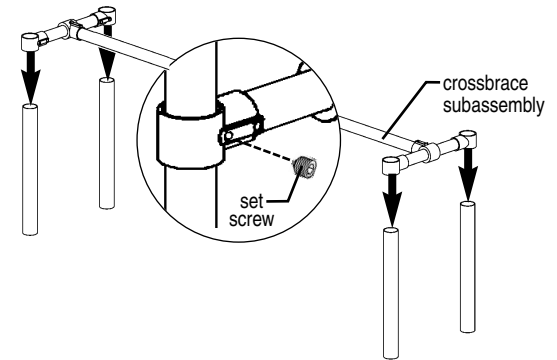
Step 1 - Assemble crossbrace subassembly.

- Assemble castings to end-to-end and front-to-back crossbracing, as shown.
- Tighten set screws in the appropriate threaded holes in castings (see below).



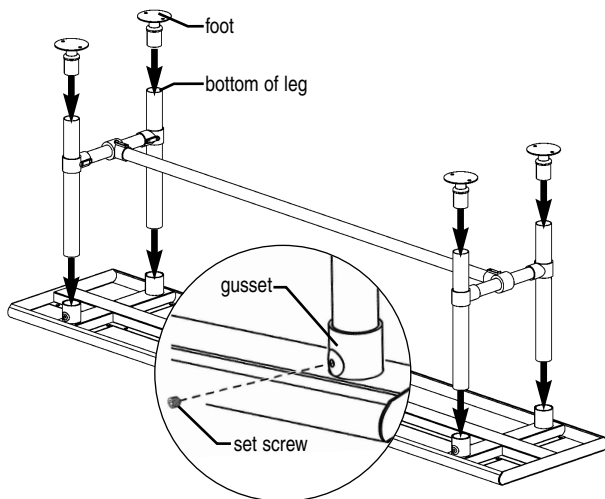
Step 2 - Attach crossbrace subassembly to legs.

- On legs, measure and mark desired height of crossbrace subassembly.
- Insert legs.
- Snug the set screws in the appropriate threaded hole in each casting (see below).

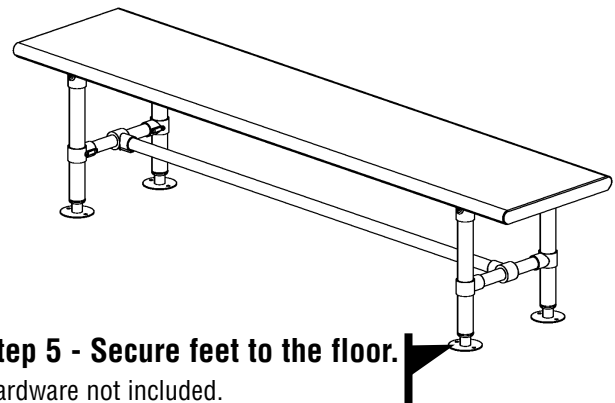


Step 3 - Assemble feet, legs, and seat.

- Lay seat upside down so that the gussets face upward.
Note: Take care not to scratch the finish.
- Insert legs into gussets.
- Use a rubber mallet to insert feet into legs.
- Tighten all screws.



Step 4 - Flip the bench onto its feet.



Step 5 - Secure feet to the floor.

Hardware not included.

Assembly is complete.

(End)