

Adjustable Slides

ASSEMBLY INSTRUCTIONS

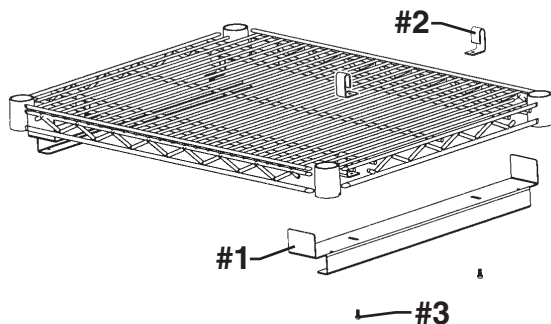
CAUTION

INSPECT CONTENTS IMMEDIATELY AND FILE CLAIM WITH DELIVERING CARRIER FOR ANY DAMAGE.
SAVE YOUR BOX AND ALL PACKING MATERIALS.
 YOU ARE RESPONSIBLE FOR DAMAGE TO YOUR UNIT IF RETURNED IMPROPERLY PACKED.

Parts List

Item #	qty	part number	description
1 *	2	A200120	18" slide
		or A200121	21" slide
		or A200122	24" slide
		or A209958	30" slide
2	4	clip	A200114
3	4	screw	200756

* Part number of slides vary, depending on order.

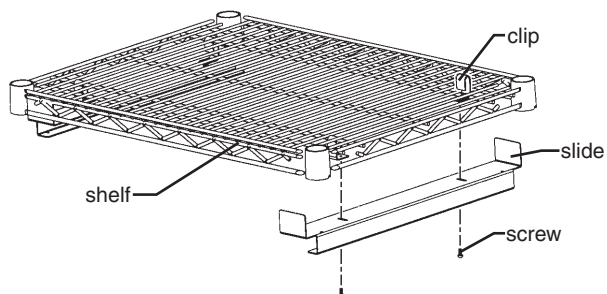


Before assembly, determine where the clips will be located on the shelf:

- Hold slides together with adjoining drawer or tote box and place under wire shelf.
- Note locations of holes on slides. These holes will be the location of the clips.
- Set aside drawer/tote box and slides until later.

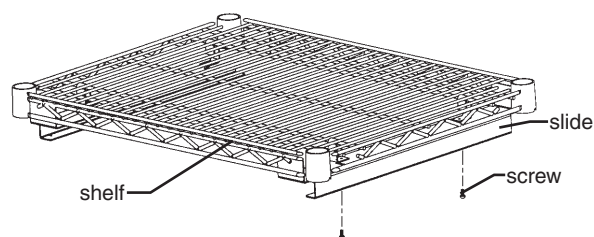
Step 1 - Attach clips to shelf (two clips per slide).

Hang clips on wires running left-to-right (not front-to-back).

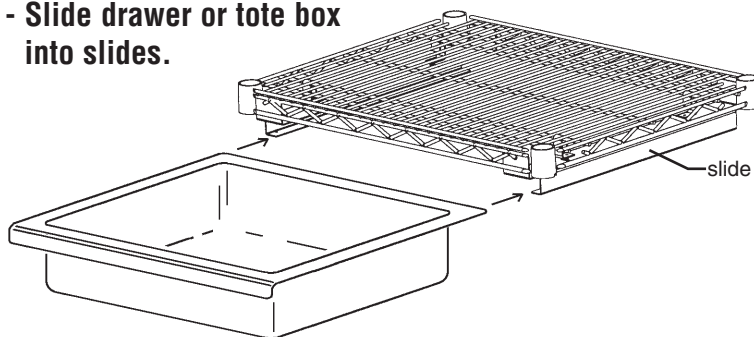


Step 2 - Attach slides to shelf.

Hold slides under shelf and fasten to clip with slotted screws.



Step 3 - Slide drawer or tote box into slides.



(End)

EG9953 Revised 04/08