

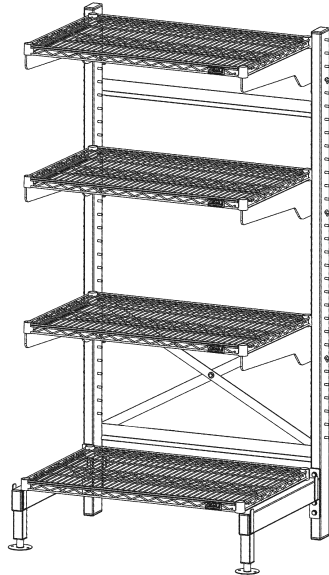
Q-LEVER Cantilever Shelving

ASSEMBLY INSTRUCTIONS

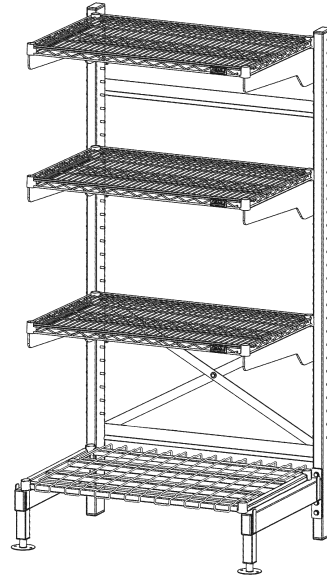
Thank you for your purchase. Before assembling shelving unit, read this instruction manual carefully to ensure correct use. After reading, be sure to store this instruction in a safe place, should it be needed for future reference.

CAUTION

UNIT SHIPPED KNOCKED DOWN. INSPECT CONTENTS IMMEDIATELY AND FILE CLAIM WITH DELIVERING CARRIER FOR ANY DAMAGE. **SAVE YOUR BOX AND ALL PACKING MATERIALS.** YOU ARE RESPONSIBLE FOR DAMAGE TO YOUR UNIT IF RETURNED IMPROPERLY PACKED.



*Q-LEVER unit with
all-wire shelving*



*Q-LEVER unit with
bottom dunnage shelf*

SAFETY INFORMATION



WARNING: Do not exceed the maximum weight limit of 600 lbs. per shelf, evenly distributed.



CAUTION: Evenly distribute the weight across each shelf, and keep the heavier loads on the bottom.



CAUTION: When shelves are at the optional 15° angle, the weight is no longer evenly distributed and load capacity is decreased.



CAUTION: Place the unit on a level surface to avoid a tipping hazard.



Warranty

If this product is defective, contact the Customer Service team at **1-800-441-8440** or visit **www.eaglegrp.com**.

(continued on next page) 

EG9973 Revised 03/18

Q-LEVER Cantilever Shelving

ASSEMBLY INSTRUCTIONS

READ BEFORE ASSEMBLING OR USING SHELVING

WARNING FOR YOUR SAFETY

These instructions and safety information should be reviewed with all store personnel, and along with all other instructions for your Eagle Group products, must be preserved and provided to any subsequent user or purchaser of these fixtures.

- Install all shelving according to installation and use components only as instructed. Shelving and components should only be installed and rearranged by trained personnel who have read and understand these instructions and warnings.
- Local codes and regulations concerning building, fire, sanitation, or seismic requirements may apply to some installations. It is the responsibility of the owner of these fixtures to check with local building authorities to determine what codes or regulations, if any apply and always install the shelving in compliance with any such requirements.
- When installing or rearranging shelving, never move assembled shelving.
- Do NOT combine Eagle products with non-Eagle products.
- NEVER use damaged parts. Damaged parts may cause shelving to be structurally unsafe or create exposure to sharp or pointed edges. If parts were damaged in shipment, do not use and contact your Eagle Customer Service Representative. If parts are damaged after shipment, discontinue use immediately and order replacement parts.
- Do NOT exceed allowable load limits. Exceeding allowable loads may cause the shelving to tip over or collapse.
- Bottom shelf is required for structural integrity and stability. Use of shelving without the shelf may cause the shelving to collapse.
- Do NOT lean tall or heavy items against shelving unless shelving is anchored to the floor or is otherwise braced to prevent overturning. The weight and force of leaning items on anchors or unbraced shelving may cause the shelving to overturn or collapse.
- Shelving (or racks) that are leaning or bending when loaded may indicate a dangerous overload or impending collapse. Loads should be immediately reduced, and the cause for this condition should be corrected, before reloading. Refer to appropriate installation instructions to assure shelving (or racks) are properly assembled, replace any damaged components or parts, and do not exceed recommended maximum loads or engage in any other unsafe use of the shelving (racks).
- Provide safe access to all levels of storage & display shelving in accordance with applicable OSHA regulations. Never allow anyone to climb, walk, or stand in shelving. These shelves were not designed to withstand the extra weight and impact of climbing, walking and standing, and the added weight and impact of such actions may cause the fixture to collapse.
- Never alter, modify or otherwise structurally change the shelving or any of its component parts. Modification or alteration may cause the shelving or component part to become structurally unsafe, resulting in tipping, collapse or other failure of the fixture.

(continued on next page) 

Q-LEVER Cantilever Shelving

ASSEMBLY INSTRUCTIONS



IMPORTANT



EVENLY DISTRIBUTED LOAD NOT TO EXCEED THE FOLLOWING WEIGHT CAPACITIES:

	left-to-right nominal length	weight capacity of top (wire) shelf	weight capacity per mid (wire) shelf	weight capacity of bottom shelf	total unit max. weight capacity
Units with All-Wire Shelving	24" to 72"	600 lbs.	600 lbs.	600 lbs.	2,800 lbs.
Units with Bottom Dunnage Shelf	24" to 72"	600 lbs.	600 lbs.	1,000 lbs.	2,800 lbs.

- Maximum capacities based on evenly distributed load.
- NEVER exceed 1,000 lbs. load on bottom dunnage shelf.
- NEVER exceed 2,800 lbs. of evenly distributed load on any single configuration.



CAUTION: Bottom shelf should be loaded first. Place heaviest objects onto bottom shelf.

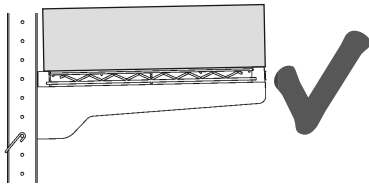


WARNING

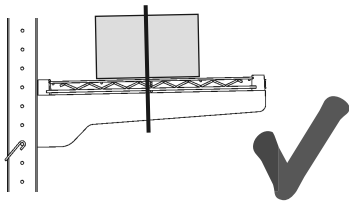


THE DEPTH OF THE LOAD SHOULD NEVER EXCEED THE LENGTH OF THE SHELF BRACKET.

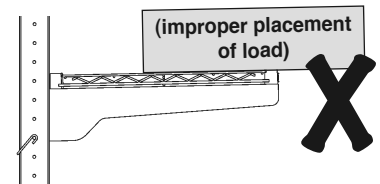
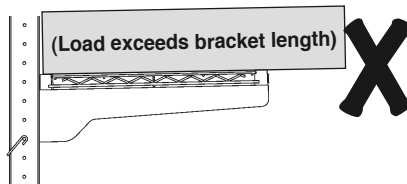
CORRECT



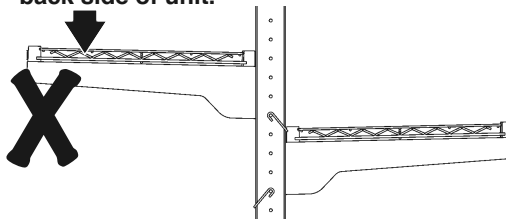
Centered Load
Full rated
bracket capacity



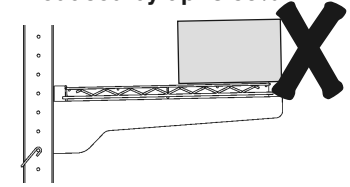
INCORRECT



Do NOT install onto
back side of unit.*



Tip Loading
Bracket capacity may be
reduced by up to 50%



* Legs are required to be underneath brackets & shelf.

(continued on next page)

Q-LEVER Cantilever Shelving

ASSEMBLY INSTRUCTIONS

Tools required:

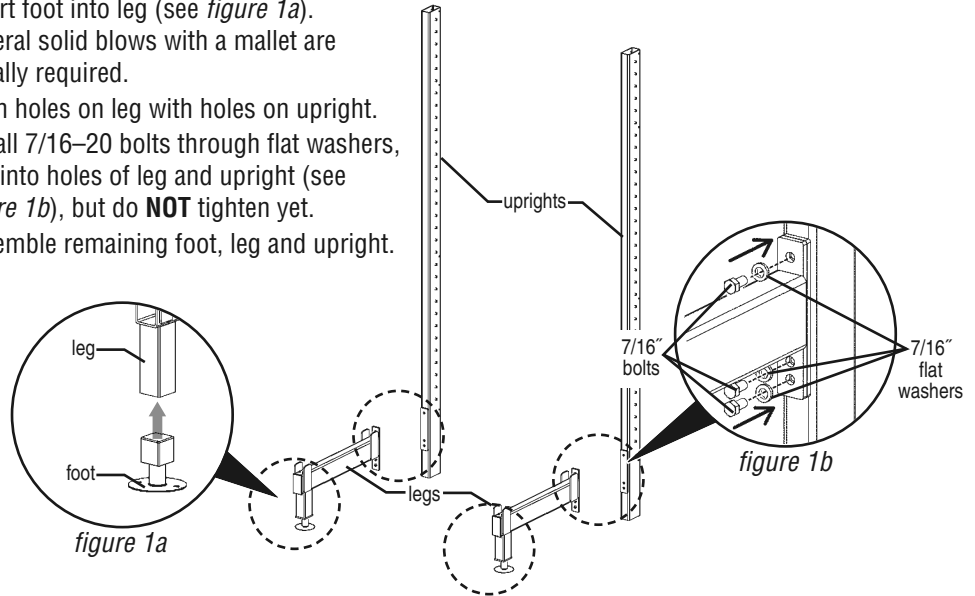
- 1/2" socket or wrench
- 5/8" socket or wrench
- Level

Hardware included:

- (7) 5/16"-24 x 1" hex bolts
- (8) 5/16" flat washers
- (7) 5/16" lock washers
- (1) 5/16"-24 nylon locking nut
- (6) 7/16"-20 bolts
- (6) 7/16" flat washers
- Warning labels

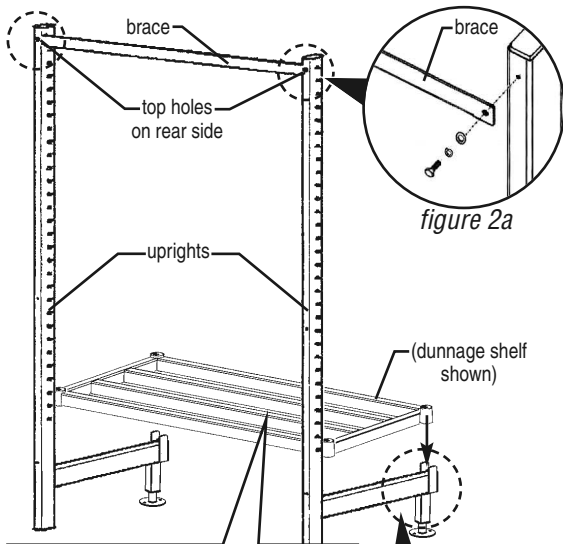
Step 1 - Attach feet to legs and assemble to uprights.

- Insert foot into leg (see *figure 1a*). Several solid blows with a mallet are usually required.
- Align holes on leg with holes on upright.
- Install 7/16"-20 bolts through flat washers, and into holes of leg and upright (see *figure 1b*), but do **NOT** tighten yet.
- Assemble remaining foot, leg and upright.

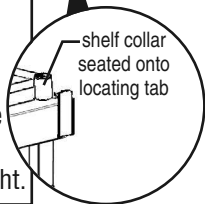


Step 2 - Assemble BRACE to top of uprights.

- Align hole on end of BRACE with top hole on rear side of upright.
- Install 5/16"-24 bolt through lock washer and flat washer, and into upright, but do **NOT** tighten yet.
- Repeat on other end.

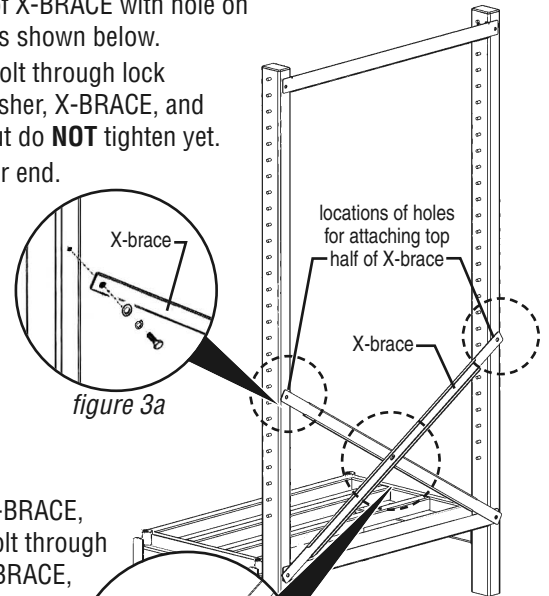


HELPFUL HINT:
Attach bottom shelf (wire or dunnage) to unit to help straighten unit. Make sure the shelf collar is seated onto the LOCATING TAB on each upright.

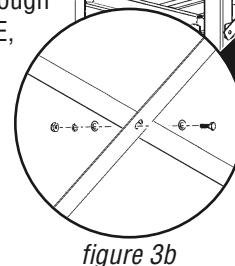


Step 3 - Attach top half of X-BRACE to uprights, and assemble X-BRACE.

- Align top half of X-BRACE with hole on each upright, as shown below.
- Run 5/16"-24 bolt through lock washer, flat washer, X-BRACE, and into upright, but do **NOT** tighten yet.
- Repeat on other end.



- To assemble X-BRACE, run 5/16"-24 bolt through flat washer, X-BRACE, flat washer, lock washer, and nut, but do **NOT** tighten yet.



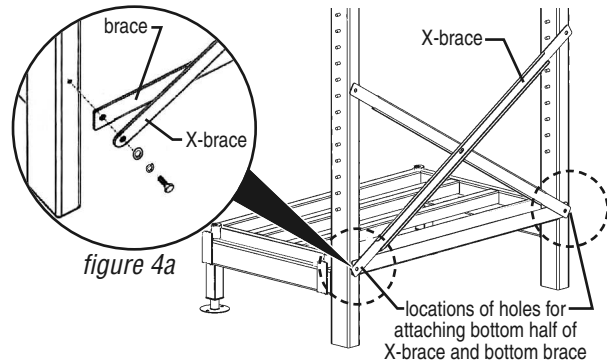
(continued on next page)

Q-LEVER Cantilever Shelving

ASSEMBLY INSTRUCTIONS

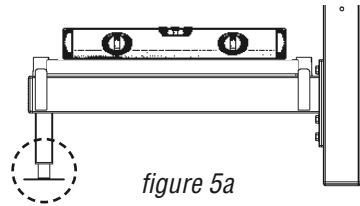
Step 4 - Assemble BRACE and bottom of X-BRACE to bottom of uprights.

- Rearrange so that bottom of X-BRACE is OVERLAPPING the BRACE (see *figure 4a*).
- Align holes of X-BRACE and BRACE with bottom hole on rear side of upright.
- Run 5/16-24 bolt through lock washer and washer (hardware provided), and through holes (see *figure 4a*), but do **NOT** tighten yet.
- Repeat on other end.



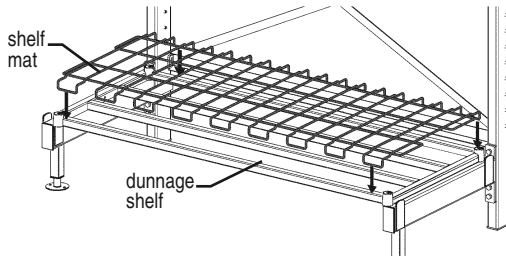
Step 5 - Pre-level unit.

- Position frame at desired location.
- Adjust feet until front of unit is level (see *figure 5a*).
- No need to level unit so that shelves are higher at front than at the rear of unit. Shelves designed with positive slope.

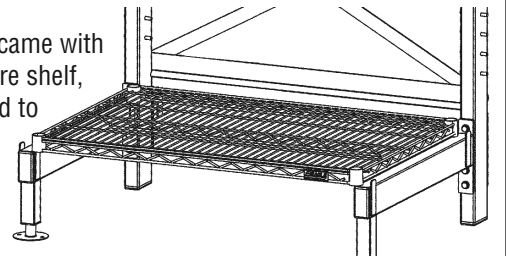


Quick Note...

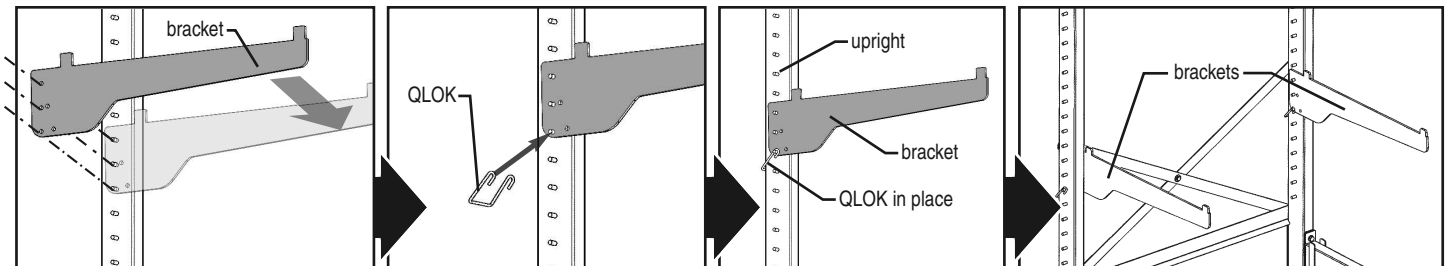
If your unit came with a bottom dunnage shelf, place the shelf mat atop the dunnage shelf.



If your unit came with a bottom wire shelf, then proceed to Step 6.



Step 6 - Install brackets onto uprights at desired location.



Align (3) holes on bracket with (3) pegs on upright at desired height, and place bracket.

Snap QLOK onto bottom pegs (both sides of upright) to secure bracket to upright.

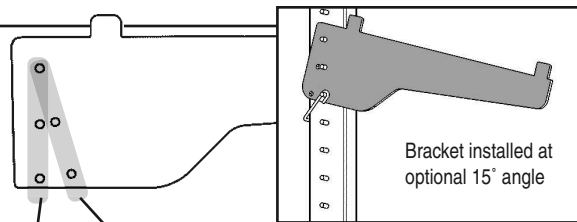
Bracket shown secured to upright.

Install opposite bracket at same height.

Quick Note...

Depending on which set of holes are used, brackets can be installed either level or at an optional 15° angle.

holes for level position holes for 15° angled position



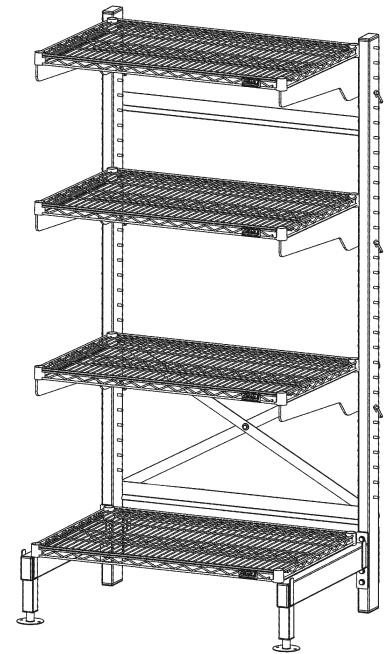
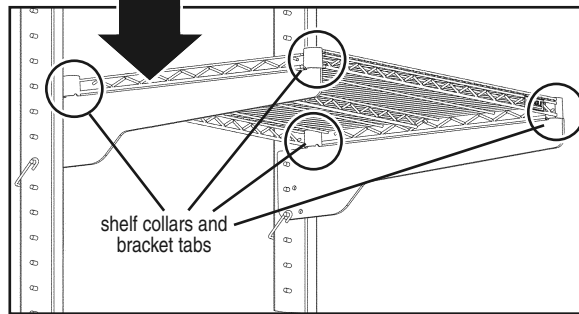
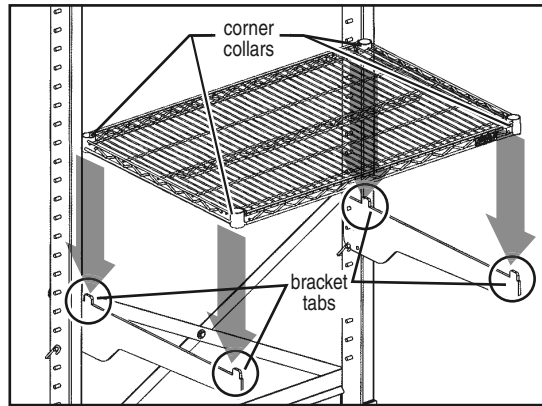
(continued on next page)

Q-LEVER Cantilever Shelving

ASSEMBLY INSTRUCTIONS

Step 7 - Install shelf.

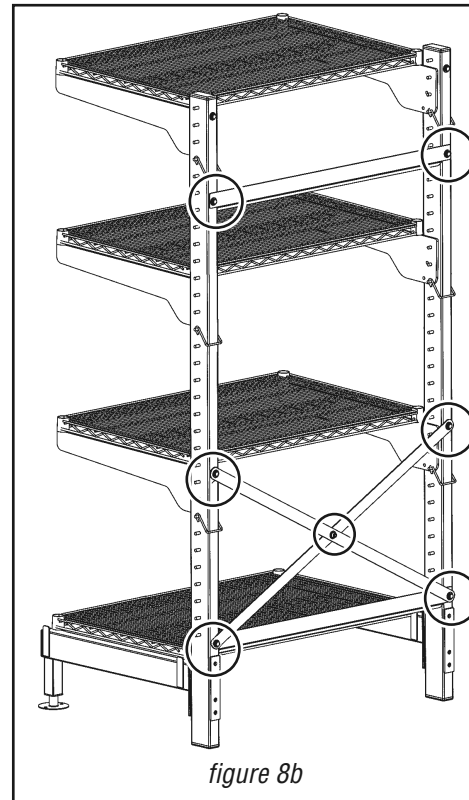
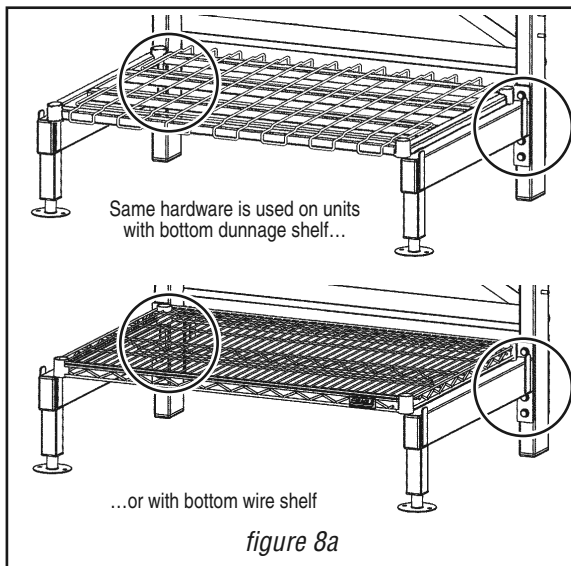
- Place the shelf onto pair of brackets, lowering the corner collars of shelf onto the four bracket tabs.



Repeat Steps 6 & 7 to install the remaining brackets and shelves.

Step 8 - Tighten all hardware.

- Tighten all six leg-to-upright bolts (figure 8a), six rear bolts of braces and X-brace (figure 8b), and the nut & bolt at middle of X-brace (figure 8b) until snug.



(End)

Don't forget... Install warning labels in visible location.

See next page for Add-On Units



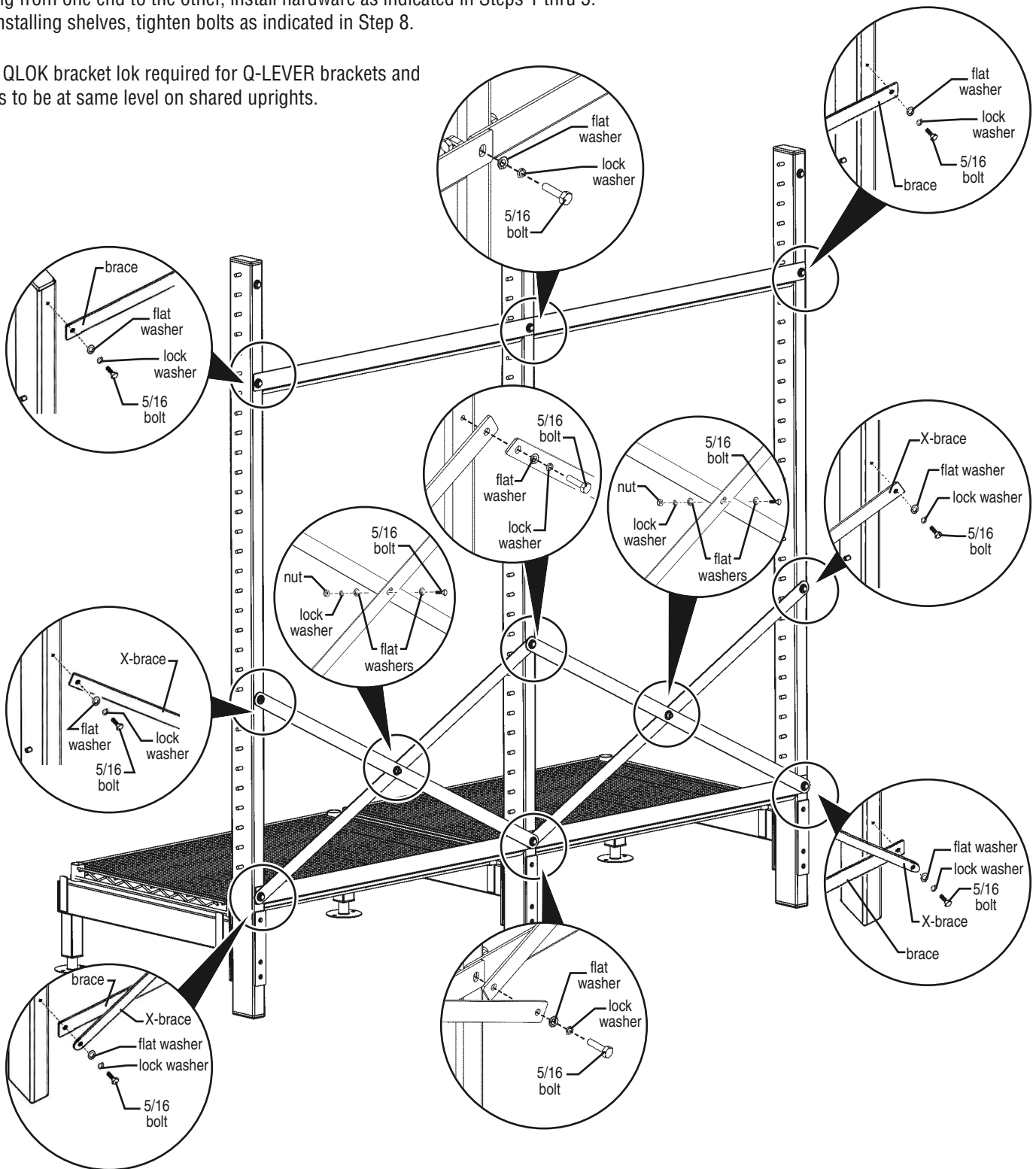
Q-LEVER Cantilever Shelving

ASSEMBLY INSTRUCTIONS

For Assembly with Add-On Units...

Working from one end to the other, install hardware as indicated in Steps 1 thru 5. After installing shelves, tighten bolts as indicated in Step 8.

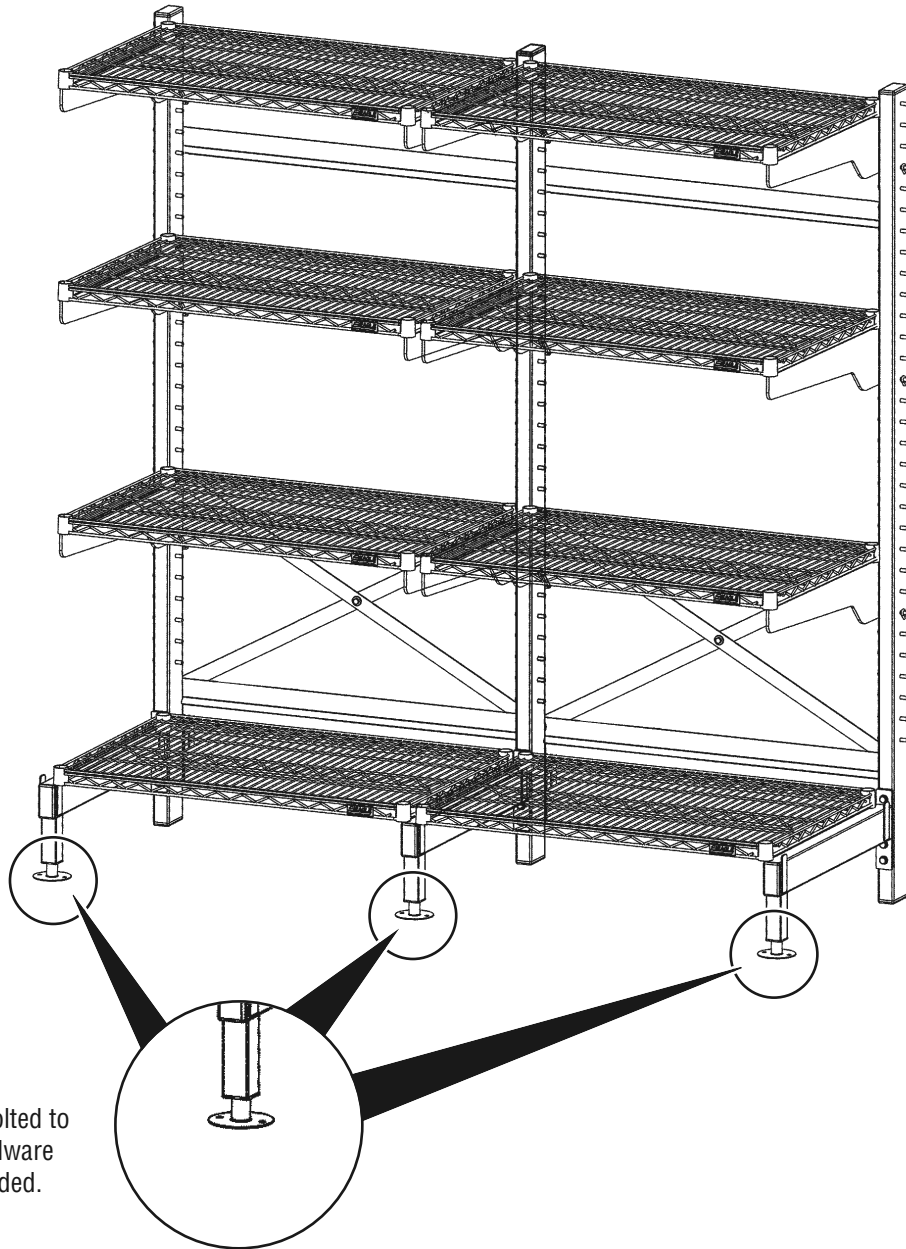
NOTE: QLOK bracket lok required for Q-LEVER brackets and shelves to be at same level on shared uprights.



(continued on back page) 

Q-LEVER Cantilever Shelving

ASSEMBLY INSTRUCTIONS



Quick Note...

Q-LEVER unit may be bolted to the floor, if needed. Hardware to affix to floor not included.

(End)

To learn more
about Eagle
products...



EAGLE
GROUP
Profit from the Eagle Advantage®

• 100 Industrial Boulevard, Clayton, Delaware 19938-8903 U.S.A. • www.eaglegrp.com
• Phone: 302/653-3000 • (Foodservice) 800/441-8440 • (MHC/Retail) 800/637-5100
• Fax: 302/653-2065

Eagle Foodservice Equipment, Eagle MHC, SpecFAB®, and Retail Display are divisions of Eagle Group. ©2018 by the Eagle Group