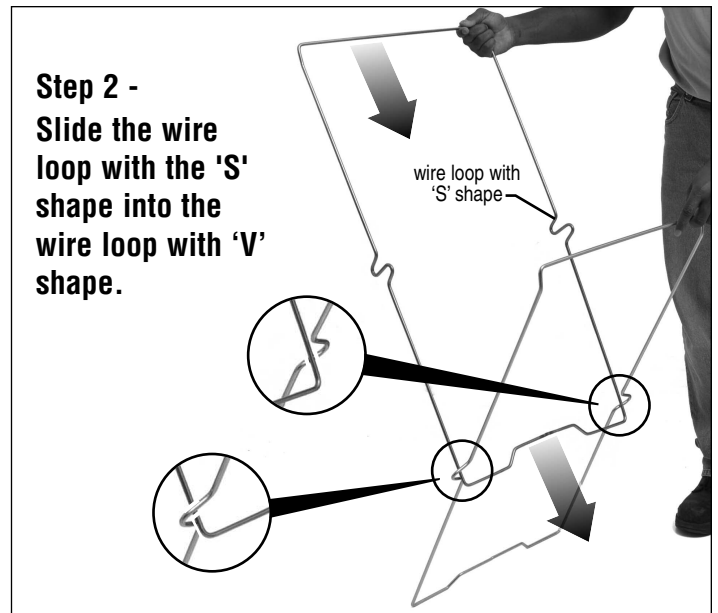
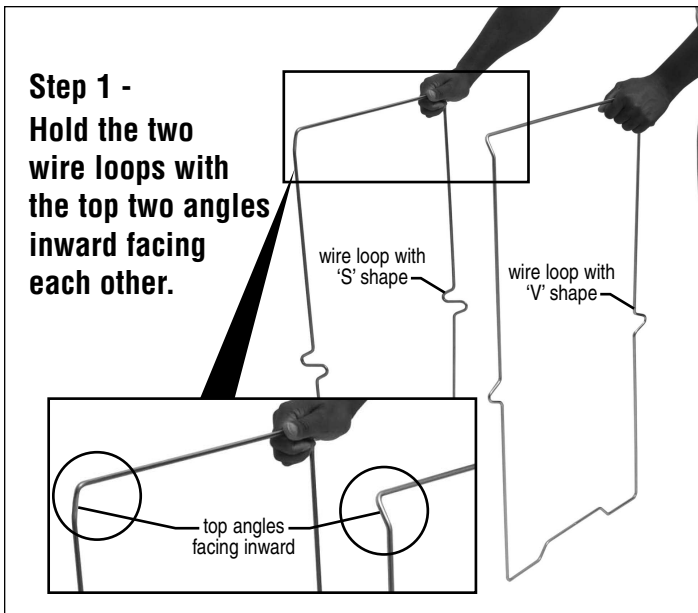
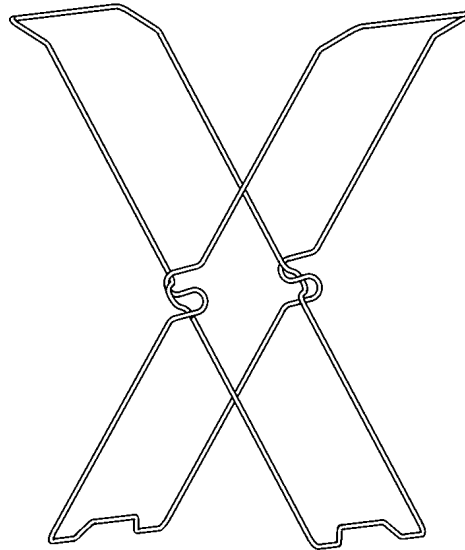


Folding Trash Can

ASSEMBLY INSTRUCTIONS

CAUTION

INSPECT CONTENTS IMMEDIATELY AND FILE CLAIM WITH DELIVERING CARRIER FOR ANY DAMAGE.
SAVE YOUR BOX AND ALL PACKING MATERIALS.
YOU ARE RESPONSIBLE FOR DAMAGE TO YOUR UNIT IF RETURNED IMPROPERLY PACKED.

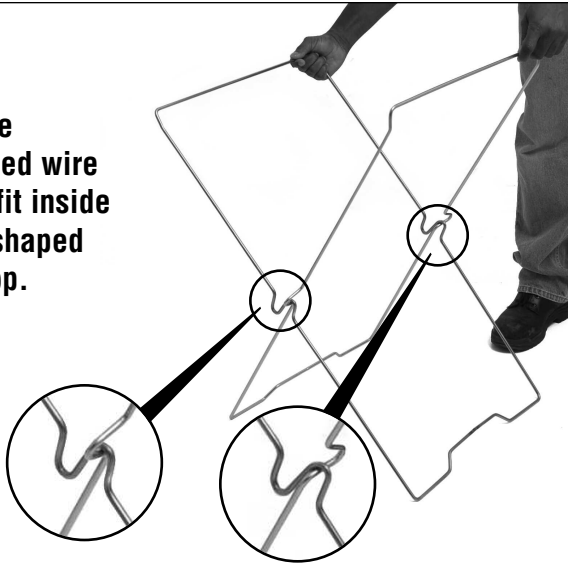


(continued on back page)

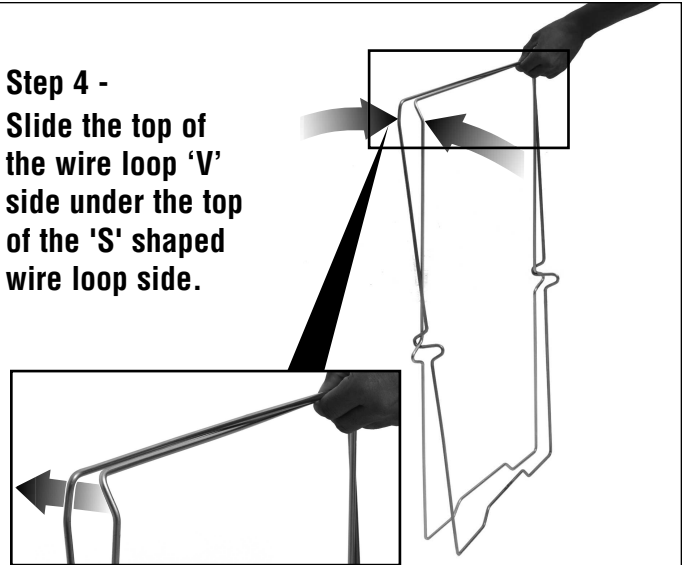
Folding Trash Can

ASSEMBLY INSTRUCTIONS

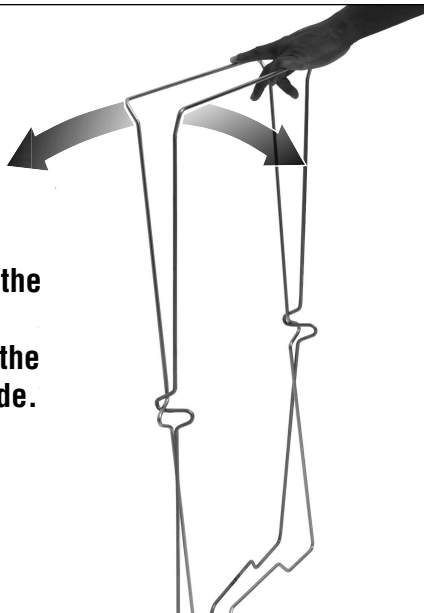
Step 3 -
Slide the
'S' shaped wire
loop to fit inside
the 'V' shaped
wire loop.



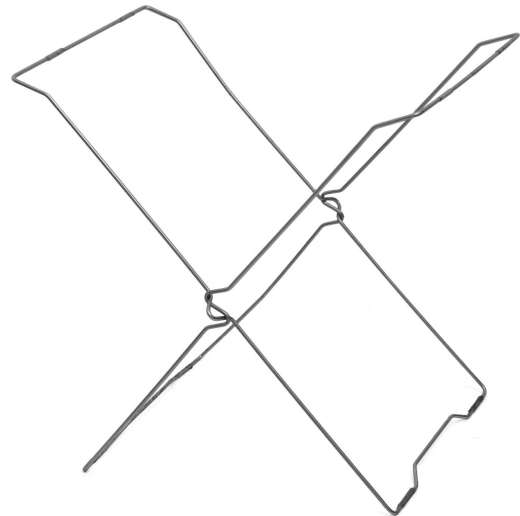
Step 4 -
Slide the top of
the wire loop 'V'
side under the top
of the 'S' shaped
wire loop side.



Step 5 -
Keep pulling the
wire loop 'V'
side through the
'S' shaped side.



Assembly is complete.



(End)



Profit from the Eagle Advantage®

• 100 Industrial Boulevard, Clayton, Delaware 19938-8903 U.S.A. • www.eaglegrp.com
• Phone: 302/653-3000 • (Foodservice) 800/441-8440 • (MHC/Retail) 800/637-5100
• Fax: 302/653-2065

Eagle Foodservice Equipment, Eagle MHC, SpecFAB, and Retail Display are divisions of Eagle Group. ©2016 by the Eagle Group