

Foodservice Equipment • Material Handling, Healthcare & Cleanroom Equipment • Retail Display

Roll Bag Dispenser



Item #:	_____
Model #:	_____
Project #:	_____
SIS #:	_____

Optional Accessories	Model #	Qty.
Outrigger base extension		



roll bag dispenser

- An effective means of dispensing products on rolls or spools.
- An easy way to establish protocol by color of cleanroom waste avoiding inadvertent mixing of non-compatible items.
- Standard roll bag dispenser unit consists of two 14" x 48" (356 x 1219mm) wire shelves, eight removable dispenser bars, one channel frame, and four 74" (1880mm) posts with 30" (762mm) outrigger feet for stability.
- Dispensing bars are adjustable on 1" (25mm) increments.
- Available in stainless steel or chrome finish. Custom sizes and configurations available.
- Allows significant inventory to be stored at the point of use.

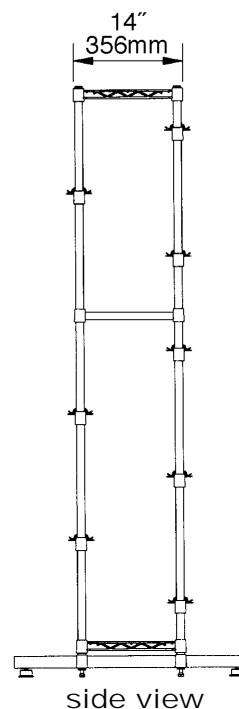
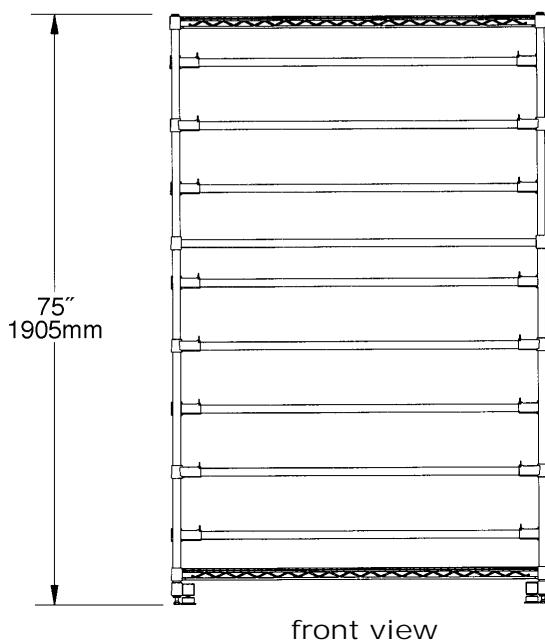
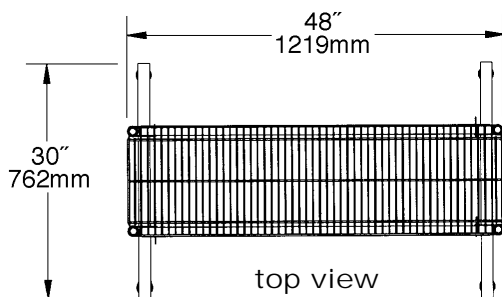
Spec sheets available for viewing, printing or downloading from our online literature library at www.eaglegrp.com

For custom configuration or fabrication needs, contact our **SpecFAB Division**.
 Phone: (302) 653-3000. FAX: (302) 653-3091.
 E-mail: specfab@eaglegrp.com

Roll Bag Dispenser

Design & Construction Features

- Two 14" x 48" (356 x 1219mm) wire shelves.
- Eight removable dispenser bars.
- Four 74" (1880mm) posts with 30" (762mm) outrigger feet for stability.
- One 3-sided channel frame.
- Dispensing bars adjustable on 1" (25mm) increments.
- Available in stainless steel or chrome finish.
- Custom sizes and configurations available.



width x length		chrome model #	stainless steel model #
in.	mm		
14" x 48"	356 x 1219	BD1448C	BD1448S

Outrigger Base Extension for Roll Bag Dispenser

front-to-back		chrome model #	stainless steel model #
in.	mm		
30"	762	C30-PBB	S30-PBB