



Profit from the Eagle Advantage®

Specification Sheet

Short Form Specifications

Eagle Flat Top Hardwood Baker's Table, model _____. Top to be 1 1/4" thick hardwood top, with adjustable (galvanized, stainless steel) undershelf or tubular base, and 1 1/2"-diameter (galvanized, stainless steel) tubular legs with 1" plastic bullet feet.

Eagle Hardwood Baker's Table with Backsplash and End Splashes, model _____. Top to be 1 1/4" thick hardwood top with 4" covered back and end splashes. Adjustable (galvanized, stainless steel) undershelf or tubular base, and 1 1/2"-diameter (galvanized, stainless steel) tubular legs with 1" plastic bullet feet.



table with covered backsplash and end splashes, with tubular base



flat top table with undershelf

Options / Accessories

- Drawer assemblies
- Lock
- Stainless steel bullet feet
- Casters
- Overshelf
- Spice bins

EAGLE GROUP
 100 Industrial Boulevard, Clayton, DE 19938-8903 USA
 Phone: 302-653-3000 • Fax: 302-653-2065
 www.eaglegrp.com

Foodservice Division: Phone 800-441-8440
MHC/Retail Display Divisions: Phone 800-637-5100

For custom configuration or fabrication needs, contact our **SpecFAB® Division**.
 Phone: 302-653-3000 • Fax: 302-653-2065 • e-mail: quotes@eaglegrp.com

Item No.: _____
 Project No.: _____
 S.I.S. No.: _____

Hardwood Tables

MODELS:

- | | | |
|--------------------------------------|--------------------------------------|--------------------------------------|
| <input type="checkbox"/> MT2448B | <input type="checkbox"/> MT2496B | <input type="checkbox"/> MT3072B |
| <input type="checkbox"/> MT2448B-BS | <input type="checkbox"/> MT2496GT | <input type="checkbox"/> MT3072B-BS |
| <input type="checkbox"/> MT2448GT | <input type="checkbox"/> MT2496S | <input type="checkbox"/> MT3072GT |
| <input type="checkbox"/> MT2448GT-BS | <input type="checkbox"/> MT2496ST | <input type="checkbox"/> MT3072GT-BS |
| <input type="checkbox"/> MT2448S | <input type="checkbox"/> MT3048B | <input type="checkbox"/> MT3072S |
| <input type="checkbox"/> MT2448S-BS | <input type="checkbox"/> MT3048GT | <input type="checkbox"/> MT3072S-BS |
| <input type="checkbox"/> MT2448ST | <input type="checkbox"/> MT3048S | <input type="checkbox"/> MT3072ST |
| <input type="checkbox"/> MT2448ST-BS | <input type="checkbox"/> MT3048ST | <input type="checkbox"/> MT3072ST-BS |
| <input type="checkbox"/> MT2460B | <input type="checkbox"/> MT3060B | <input type="checkbox"/> MT3096B |
| <input type="checkbox"/> MT2460GT | <input type="checkbox"/> MT3060B-BS | <input type="checkbox"/> MT3096B-BS |
| <input type="checkbox"/> MT2460S | <input type="checkbox"/> MT3060GT | <input type="checkbox"/> MT3096S |
| <input type="checkbox"/> MT2460ST | <input type="checkbox"/> MT3060GT-BS | <input type="checkbox"/> MT3096S-BS |
| <input type="checkbox"/> MT2472B | <input type="checkbox"/> MT3060S | <input type="checkbox"/> MT3096GT |
| <input type="checkbox"/> MT2472GT | <input type="checkbox"/> MT3060S-BS | <input type="checkbox"/> MT3096GT-BS |
| <input type="checkbox"/> MT2472S | <input type="checkbox"/> MT3060ST | <input type="checkbox"/> MT3096ST |
| <input type="checkbox"/> MT2472ST | <input type="checkbox"/> MT3060ST-BS | <input type="checkbox"/> MT3096ST-BS |

Tabletop

- 1 1/4" (44mm)-thick hardwood tabletop.
- Available with a flat top or with 4" (102mm) covered splashes on back and ends.
- Stainless steel gussets.

Legs

- 1 1/2" (42mm) diameter.
- 16 gauge stainless steel.
- 1" (25mm) adjustable hi-impact plastic feet.

Bases

- Adjustable 1 1/4" (32mm)-diameter tubular base or adjustable undershelf available.
- Both bases available in galvanized or stainless steel.

Certifications / Approvals



AUTOQUOTES



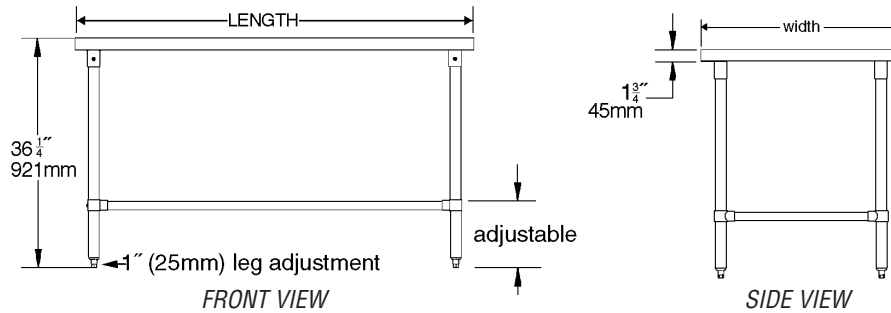
Spec sheets available for viewing, printing or downloading from our online literature library at www.eaglegrp.com



Profit from the Eagle Advantage®

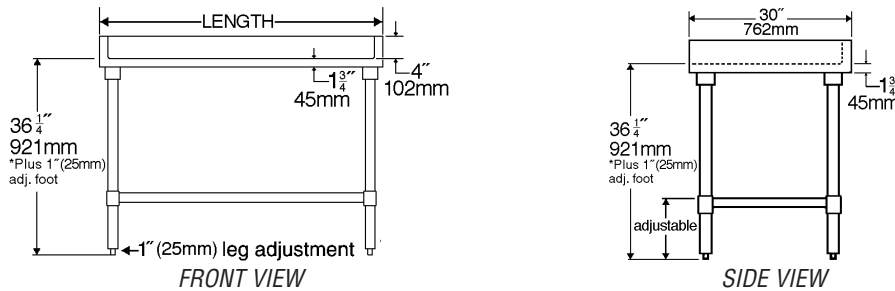
Item No.: _____
 Project No.: _____
 S.I.S. No.: _____

Hardwood Tables with Flat Top...



...WITH ADJUSTABLE UNDERSHELF				...WITH TUBULAR BASE					
GALVANIZED model #	STAINLESS model #	weight lbs.	weight kg	GALVANIZED model #	STAINLESS model #	weight lbs.	weight kg	width in.	length in.
MT2448B	MT2448S	94	42.6	MT2448GT	MT2448ST	92	41.7	24"	48"
MT2460B	MT2460S	118	53.5	MT2460GT	MT2460ST	117	53.1	24"	60"
MT2472B	MT2472S	141	64.0	MT2472GT	MT2472ST	138	62.6	24"	72"
MT2496B	MT2496S	189	85.7	MT2496GT	MT2496ST	182	82.6	24"	96"
MT3048B	MT3048S	141	64.0	MT3048GT	MT3048ST	139	63.1	30"	48"
MT3060B	MT3060S	147	66.7	MT3060GT	MT3060ST	145	65.8	30"	60"
MT3072B	MT3072S	177	80.3	MT3072GT	MT3072ST	174	77.8	30"	72"
MT3096B	MT3096S	235	106.6	MT3096GT	MT3096ST	230	104.3	30"	96"

Hardwood Tables with Backsplash and End Splashes...



...WITH ADJUSTABLE UNDERSHELF				...WITH TUBULAR BASE					
GALVANIZED model #	STAINLESS model #	weight lbs.	weight kg	GALVANIZED model #	STAINLESS model #	weight lbs.	weight kg	width in.	length in.
MT3048B-BS	MT3048S-BS	110	49.9	MT3048GT-BS	MT3048ST-BS	119	54.0	30"	48"
MT3060B-BS	MT3060S-BS	149	67.6	MT3060GT-BS	MT3060ST-BS	147	66.7	30"	60"
MT3072B-BS	MT3072S-BS	180	81.6	MT3072GT-BS	MT3072ST-BS	177	80.3	30"	72"
MT3096B-BS	MT3096S-BS	240	108.9	MT3096GT-BS	MT3096ST-BS	235	106.6	30"	96"

Optional Casters For Hardwood Worktables

ZINC				POLYMER CART WASHABLE			
W/RESILIENT TREAD model #	wt. cap. lbs.	wt. cap. kg	W/RUBBER TREAD model #	wt. cap. lbs.	wt. cap. kg	W/POLY TREAD model #	wt. cap. lbs.
CA4-SB	115	52.2	-	-	-	-	-
CA6-SB	115	52.2	-	-	-	-	-
CAH4-SB	200	90.7	CAHP4-SB	250	113.4	CAHW4-SB	250
CAH6-SB	200	90.7	CAHP6-SB	250	113.4	CAHW6-SB	250

4" (102mm)-dia., set of 4 (2 swivel, 2 w/brake)
 4" (102mm)-dia., set of 6 (3 swivel, 3 w/brake)
 5" (127mm)-dia., set of 4 (2 swivel, 2 w/brake)
 5" (127mm)-dia., set of 6 (3 swivel, 3 w/brake)

EAGLE GROUP

100 Industrial Boulevard, Clayton, DE 19938-8903 USA • Phone: 302-653-3000 • Fax: 302-653-2065 • www.eaglegrp.com

Foodservice Division: Phone 800-441-8440

MHC/Retail Display Divisions: Phone 800-637-5100

Printed in U.S.A. ©2015 by Eagle Group Rev. 07/15

Spec sheets available for viewing, printing or downloading from our online literature library at www.eaglegrp.com

Although every attempt has been made to ensure the accuracy of the information provided, we cannot be held responsible for typographical or printing errors. Information and specifications are subject to change without notice. Please confirm at time of order.